

Sidelifter SB362, SB450

Spare Parts

DC-41265-02EN V1310



STEELBRO

Container Handling Solutions



Contents

Change History	3
-----------------------	----------

Ordering Parts	4
-----------------------	----------

Orientation (Left and Right)	4
Parts Providers	6
Trailer Serial Number	6
Steelbro Parts Order Form	7

Crane Assembly	8
-----------------------	----------

Crane Assembly SB362	9
Crane Assembly SB450	13

Stabiliser Legs Spare Parts	17
------------------------------------	-----------

Bending Leg Stabiliser Spare Parts	17
Bending Leg Stabiliser SB361, SB401	17
Bridge Leg Stabiliser Spare Parts	18
Bridge Leg Stabiliser Assy SB362	19
Bridge Leg Stabiliser Assy Kit SB362	21

Lifting Accessories	23
----------------------------	-----------

Chain Sling SB362	23
Chain Sling SB450 (16mm chains)	24
Chain Sling SB450 (Clevis type)	25
Chain Sling SB450 (Oblong Ring)	26
Container Joiners (linklock system)	28

Hydraulic Components	29
-----------------------------	-----------

Control Valve PVG32	29
Hydraulic Cylinders SB362	32
Bottom Lift Cylinder Assembly	32
Top Lift Cylinder Assembly	33
Stabiliser Tilt Cylinder Assembly	34
Stabiliser Extend Cylinder Assembly	35
Hydraulic Cylinders SB450	36
Bottom Lift Cylinder Assembly	36
Top Lift Cylinder Assembly	37
Stabiliser Tilt Cylinder Assembly	38
Stabiliser Extend Cylinder Assembly	39
Bridge Leg Stabiliser Hydraulics Spare Parts	39
Bridge Leg Stabiliser Assy Hyd Bridge Beam	40
Bridge Leg Stabiliser Assy Hyd Bridge Beam Seal Kit	41
Bridge Leg Stabiliser Assy Hyd Outer Leg	42
Bridge Leg Stabiliser Assy Hyd Outer Leg Seal Kit	43



Electrical Components 44

Electrical Parts	44
Lamps	44
Switches & Buttons	45
Fuses	46
Cables	46
Container Detection	47
Plugs	47
Engine Parts	48
Control System	50
Analogue Control	50
B-Box (PCB)	50
Module Box	51
Digital/SMARTlift Control	52
Digital/SMARTlift Control	52
E-Box (PCB)	52
E-Box Components	52
Crane C & D Boxes	53
Display Box	53
Digital/SMARTlift Control ECU and Display Parts	54
SMARTlift Sensor Parts	54
Remote Control	56
Remote - Cable (Analogue)	56
Remote - Cable (Digital)	57
Remote - Radio (Analogue or Digital)	57

Power Pack 59

Power Pack (V2403)	59
Engine Frames	62
Tank Assembly Drawings	64
Air Cleaners	65
Power Pack Centre Mount Fan Stone Guard	67

Chassis 71

Wheels and Mudguards	72
Wheel and Mudguard Components	72
Mudguard Brackets	72
Mudguards	73
Mudflaps	73
Mudguard Joiners	73
Landing Legs	74
Fuwa Landing Legs	74
Twistlock Assemblies	77
Twistlock Assembly	77



Ordering Parts

This section contains information about genuine Steelbro parts and accessories. OEM parts lists (e.g. suspension, axles) are included with the rest of the information about that component elsewhere in this manual.

Each page or section is labelled according to the model/s it covers.

When ordering parts, quote the serial number of the Sidelifter and ensure that the parts list you use is the correct one for the Sidelifter, and:

- include the part number, description and quantity
- include your complete address
- specify how the parts are to be sent

We have enclosed a standard order form, which will ease your order processing.

Orientation (Left and Right)

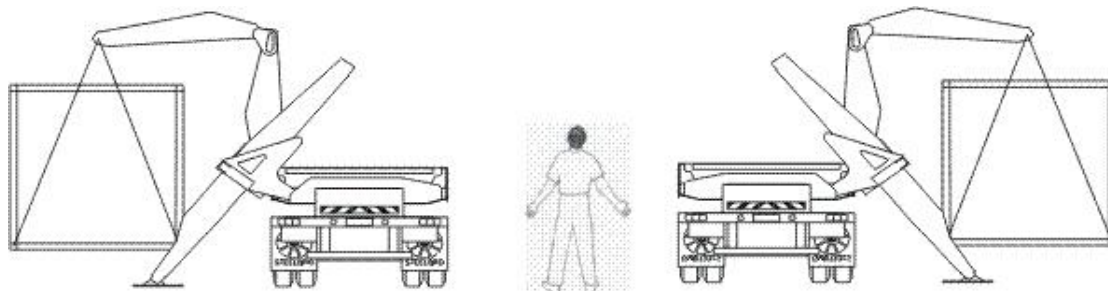
We use the terms **LEFT** and **RIGHT** in two different contexts:

- left and right hand lifts
- left and right cranes

This section explains the difference between them.

Several parts on the Sidelifter are 'handed', i.e. they are mirror images of each other, usually referred to as left hand and right hand parts, as they are not interchangeable. 'Handed' parts have a different part number for each hand. Within the parts manual the part number for the right hand item is listed first with the alternative listed in brackets.

The left hand and right hand side of the trailer are as seen when standing at the rear of the trailer facing the tractor unit.



Left hand lift

Right hand lift



The left and right hand crane modules are determined by facing the Sidelifter from the lifting side. While it may seem more logical to refer to them as front and rear, this does not work because the modules have an inner and outer side. Therefore on a Right Hand Lift unit, the module at the front is the same as the rear unit on a Left Hand Lift and vice versa. Because our parts need names that apply to all the instances in which they are used, the left and right crane distinction works.





Parts Providers

To order spare parts contact STEELBRO spare parts at the addresses below in the first instance. Our staff will advise you if there is a parts supplier closer to you geographically.

Order parts by e-mail, phone or fax. There is a PDF order form available here for ordering parts via fax.

Trailer Serial Number

Please remember to include the **TRAILER SERIAL NUMBER** with any order or inquiry.

Location	Parts Provider	Contact
New Zealand and other locations not listed below	Steelbro NZ Ltd	Email: spareparts@steelbro.com Ph: +64 3 341-2383 or +64 3 341-2335 Fax: +64 3 341-2351



Steelbro Parts Order Form

Your Order Reference		Sidelifter Serial Number	
Part Number	Quantity	Description	Serial Number

FREIGHT METHOD: (Tick preferred option)

Air Express
 Air Freight
 Sea Freight
 Preferred Carrier - (specify)

DELIVERY TO:

Name		Company	
Address			
Town / City		Country	

PAYMENT

Steelbro A/C No.		Alternative Payment Method	
------------------	--	----------------------------	--

(Freight charges to be paid on collection.)

COMMENTS:

CONTACT DETAILS

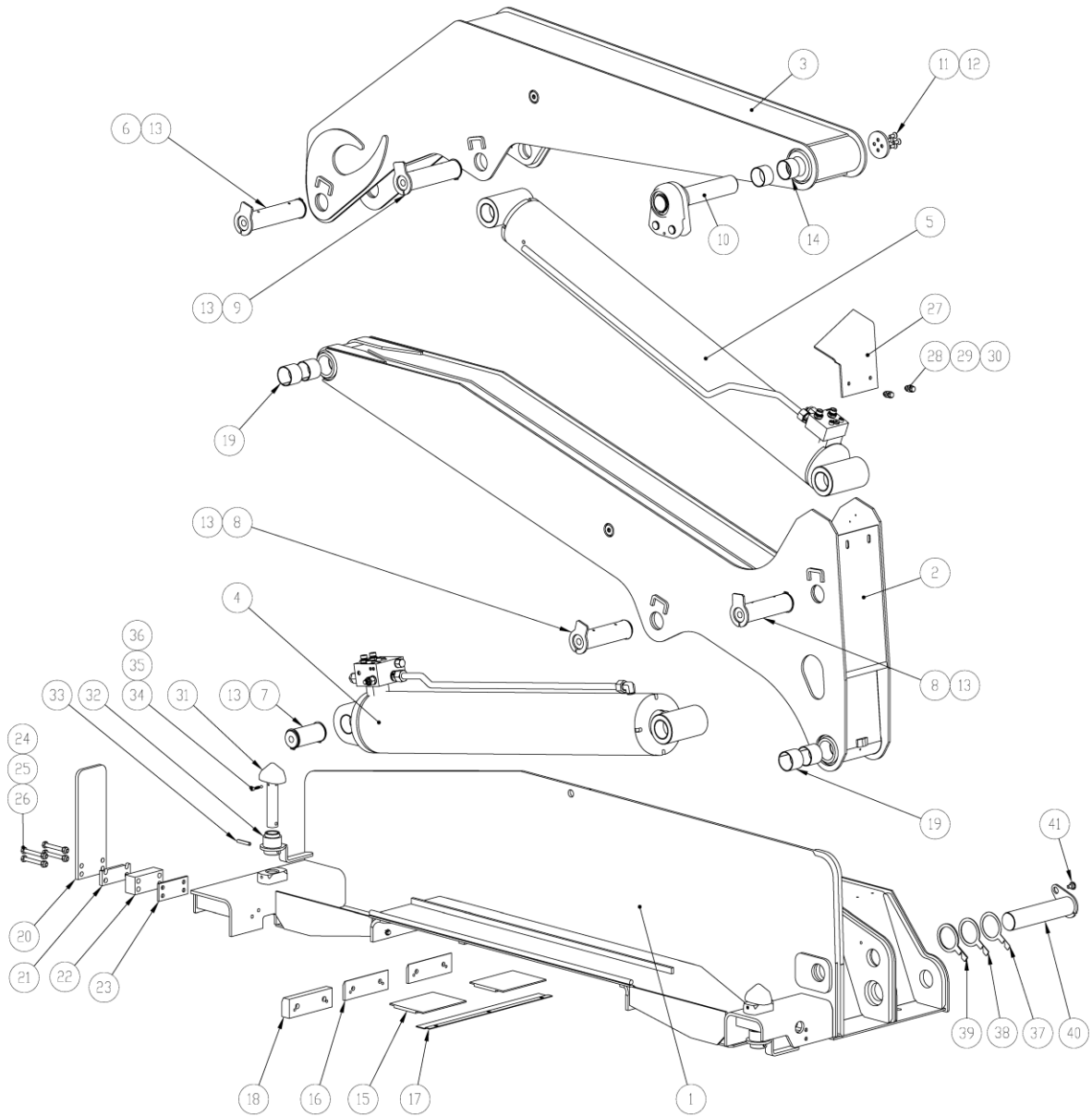
Email			
Phone		Mobile	
		Fax	



Crane Assembly



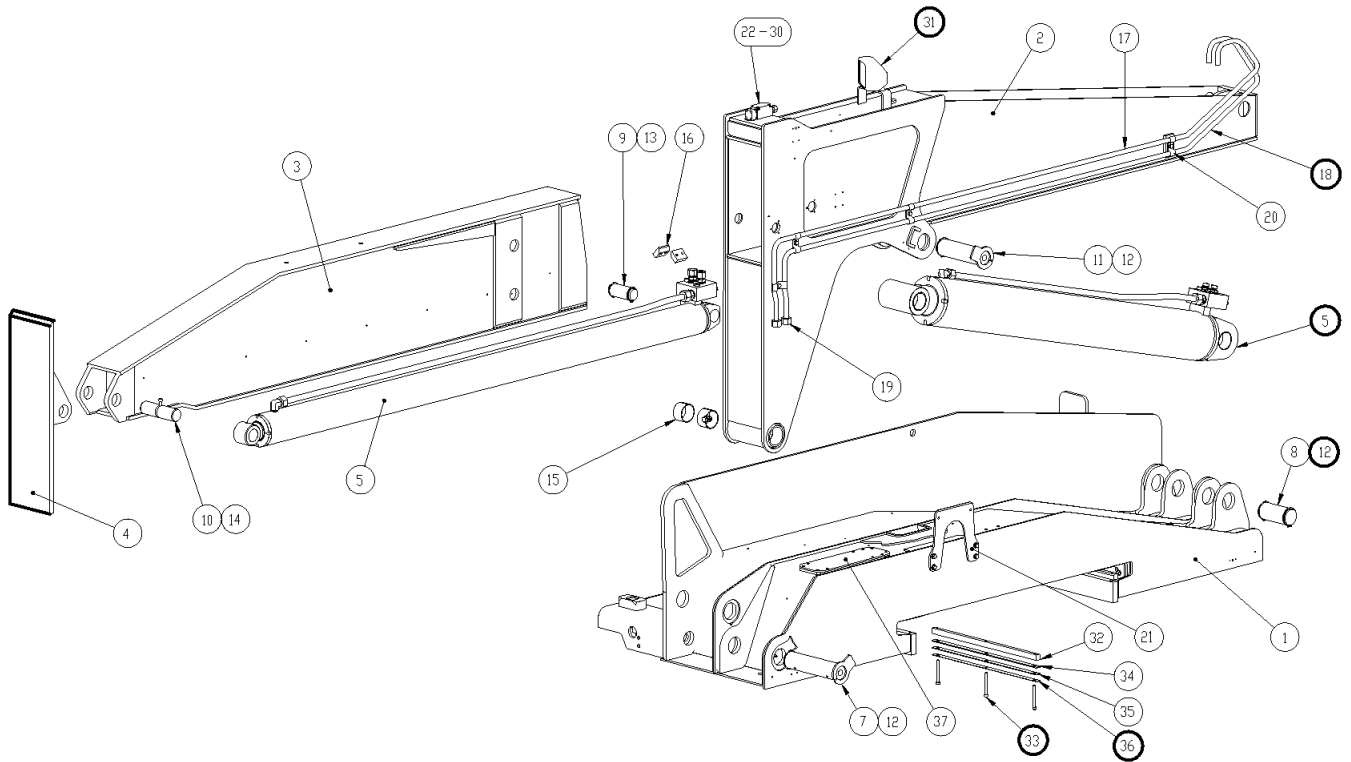
Crane Assembly SB362





Note: Please provide the Serial Number of the Sidelifter with all spare parts orders.

Item	Part Number	Description (SB362)	Qty
1	S3-25981 (S3-25980)	Crane Base RH (Crane Base LH)	1
2	S3-25928R (S3-25928L)	Bottom Arm RH (Bottom Arm LH)	1
3	CR-41161R (CR-41161L)	Top Arm RH (Top Arm LH)	1
4	HC-41424	Assembly Cylinder Hyd Bottom Lift	1
5	HC-26058 (HC-26059)	Assembly Cylinder Hyd Top Lift RH (Assembly Cylinder Hyd Top Lift LH)	1
6	PN-21819	Pin D	1
7	PN-21812	Pin B & I	1
8	PN-41248	Pin C & E	2
9	PN-41245	Pin F	1
10	PN-41241	Pin G (Clevis type)	1
11	PN-33853	Retainer Plate Pin G Clevis	1
12	FA-28737	Screw Socket Flat Head Gr12.9 M10x25 ZP	4
13	FA-28935	Circlip Ext M60 ZP	6
14	BE-29011	Bearing Glacier 60 ID x 40 long	2
15	S3-31068	Wear Pad Crane Base 10mm	4
16	S3-31067	Wear Pad Side Flange 10mm (Standard chassis)	4
17	S1-31484	Retainer Wear Pad	2
18	S1-31066	Wear Pad Side Flange 35mm (Narrow chassis)	
19	BE-42814	Bearing Glacier 60 ID x 50 long	4
20	S3-26048	Bash Plate Offside Crane Base	1
21	S3-31031	Spacer Bash Plate Offside	1
22	S3-26044	Spring Block Bash Plate Offside	1
23	S3-31032	Washer Spring Block Bash Plate Offside	1
24	FA-28772	Nut Nyloc M12 ZP	4
25	FA-28827	Washer Flat M8x19 ZP	4
26	FA-28649	Bolt Hex Class 8.8 M12x100 ZP	4
27	CR-40446R (CR-40446L)	Bash Plate Bottom Arm RH (Bash Plate Bottom Arm LH)	1
28	FA-28832	Washer Flat M10x21 ZP	4
29	FA-28623	Set Screw Hex Class 8.8 M10x30 ZP	2
30	FA-28771	Nut Nyloc M10 ZP	2
31	S3-26034	Twistlock Centre Crane Base	2
32	S3-26040	Twistlock Handle Crane Base	2
33	FA-27891	Roll Pin M10 x 55	2
34	FA-28750	Grub Screw M10 x 12	2
35	TP-22382	Spring Twistlock	2
36	TP-22361	Ball Steel	2
37	S6-25958	Spacer Washer A&H Pin 1mm	
38	S6-25959	Spacer Washer A&H Pin 2mm	
39	S6-20471	Spacer Washer A&H Pin 4mm	
40	PN-42801	Pin A	1
41	FA-34402	Screw Socket Head Shouldered	1



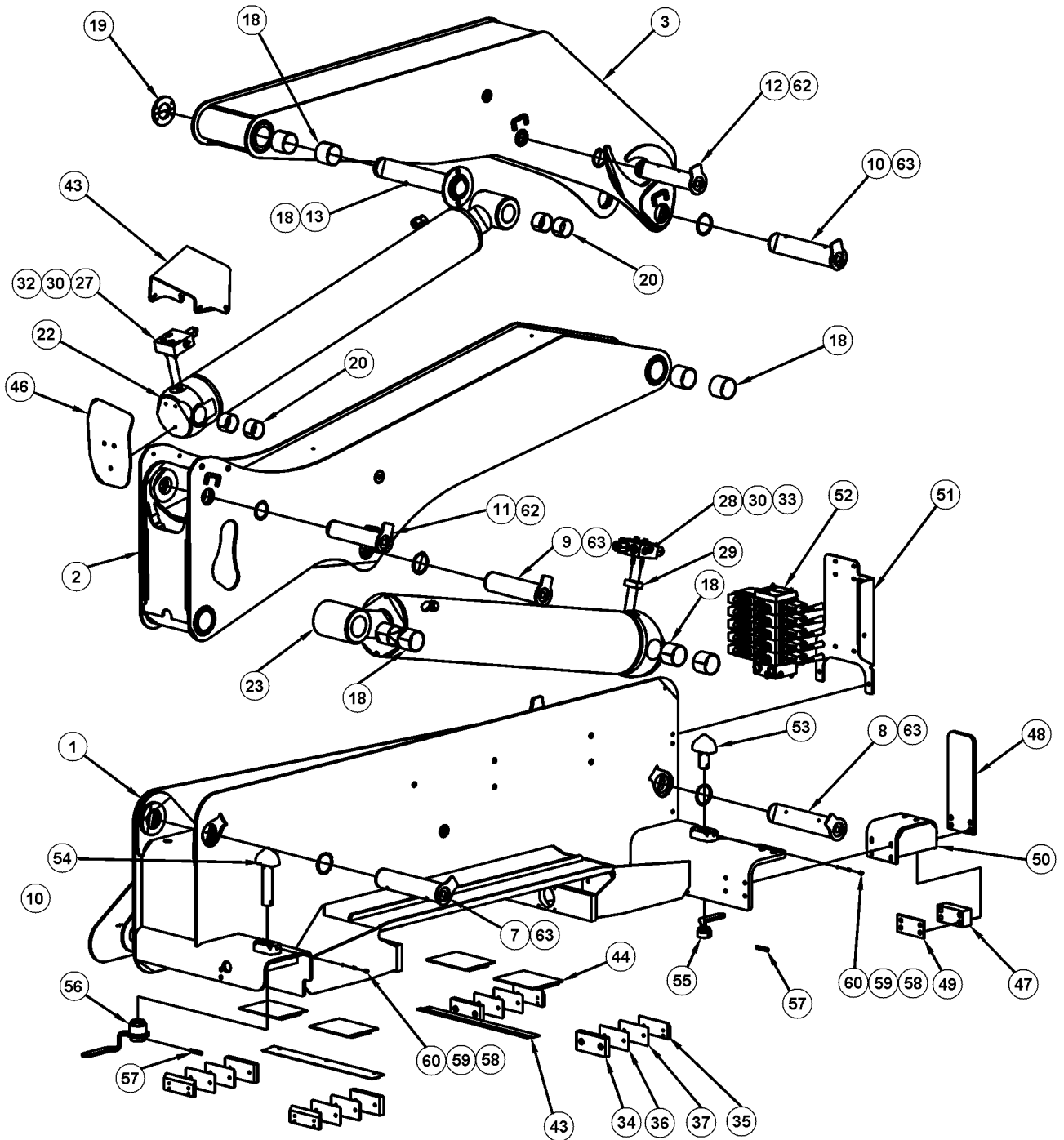
Note: Please provide the Serial Number of the Sidelifter with all spare parts orders.

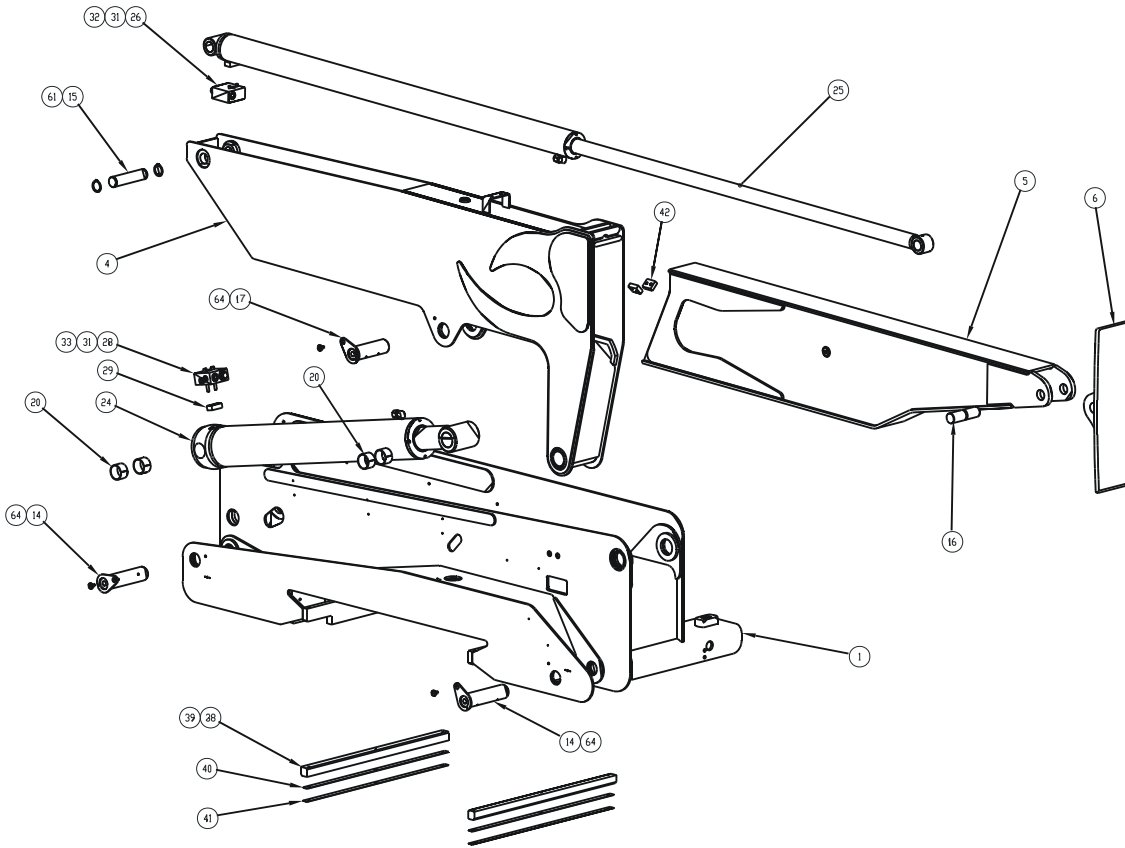
Item	Part Number	Description (SB362)	Qty
1	S3-25981 (S3-25980)	Crane Base RH (Crane Base LH)	1
2	S3-39214R (S3-29214L)	Stabiliser Housing RH (Stabiliser Housing LH)	1
3	S3-39208R (S3-39208L)	Stabiliser Extension RH (Stabiliser Extension LH)	1
4	S3-21833	Foot	1
5	HC-26057	Assembly Cylinder Hyd Stabiliser Tilt	1
6	HC-26056	Assembly Cylinder Hyd Stabiliser Ext	1
7	PN-21823	Pin H	1
8	PN-21812	Pin B & I	1
9	PN-18322	Pin J	1
10	PN-21817	Pin K	1
11	PN-21826	Pin L	1
12	FA-28935	Circlip Ext M60 ZP	4
13	FA-28923	Circlip Ext M45 ZP	2
14	FA-29761	Screw Socket Cap Gr12.9 M8x30 ZP	1
15	BE-29011	Bearing Glacier 60 ID x 40 long	2
16	S1-18365	Support Lower Stabiliser Leg Cyl	2
17	HC-31692 (HC-31691)	Pipe Stabiliser Ext Cyl A RH (Pipe Stabiliser Ext Cyl A LH)	1
18	HC-31694 (HC-31693)	Pipe Stabiliser Ext Cyl B RH (Pipe Stabiliser Ext Cyl A LH)	1
19	HF-41228	Nut EO2 16mm Tube	2
20	HC-20674	Clamp Double 16mm Tube	4
21	S3-34590	Mount Plate Energy Chain	1
22	EL-27734	Body Limit Switch	1



23	EL-33684	Plunger Head End	1
24	S1-26119	Spring Plunger Stabiliser Deployed	1
25	EL-26088	Switch Plunger Stabiliser Deployed	1
26	KU-04811-00200	O-Ring	1
27	EL-27679	Reducer 20mm-16mm	1
28	EL-27434	Cable Gland 16mm	1
29	FA-28701	Screw Socket Cap Gr12.9 M6x40 ZP	2
30	FA-28825	Washer Spring M6 ZP	2
31	EL-33298	Work Lamp	1
32	S3-22161	Block Load Transfer 20mm	2
33	FA-28711	Screw Socket Cap Gr12.9 M8x80 Blk	6
34	S3-26154	Shim Load Transfer Foot 1mm	
35	S3-26155	Shim Load Transfer Foot 2mm	
36	S3-26156	Shim Load Transfer Foot 3mm	
37	S1-21933	Bracket Control Valve	1

Crane Assembly SB450





Note: Please provide the Serial Number of the Sidelifter with all spare parts orders.

Item	Part Number	Description (SB450)	Qty
1	S8-37432 (S8-37431)	Crane Base RH (Crane Base LH)	1
2	S8-32240	Bottom Arm	1
3	S8-36976	Top Arm	1
4	S8-37059	Stabiliser Housing	1
5	S8-36980	Stabiliser Extension	1
6	S8-36978	Foot Stabiliser	1
7	PN-34235	Pin A	1
8	PN-33248	Pin B & D	1
9	PN-33252	Pin C	1
10	PN-33248	Pin B & D	1
11	PN-33256	Pin E	1
12	PN-33258	Pin F	1
13	PN-18319	Pin G (used only with oblong ring chain slings)	1
14	PN-33250	Pin H & I	2
15	PN-37120	Pin J	1
16	PN-21817	Pin K	1
17	PN-35349	Pin L	1
18	PN-37001	Anti-Theft Ring (used only with oblong ring chain slings)	1
19	PN-33853	Retainer plate Pin G	1
20	BE-29011	Bearing Glacier 60 ID x 40 long	8
21	BE-29013	Bearing Glacier 70 ID x 60 long	8



22	HC-40511	Assembly Cylinder Hyd Top Lift	1
23	HC-40513 (HC-40512)	Assembly Cylinder Hyd Bottom Lift RH (Assembly Cylinder Hyd Bottom Lift LH)	1
24	HC-36953 (HC-36952)	Cylinder Hyd Stabiliser Tilt RH (Cylinder Hyd Stabiliser Tilt LH)	1
25	HC-36954	Cylinder Hyd Stabiliser Extend	1
26	HC-23366	Block Cartridge Double Port	1
27	HC-32293	Block Cartridge Single Port	1
28	HC-32294	Block Cartridge Double Port	2
29	HC-32295	Block Riser Cartridge	2
30	HC-25754	Cartridge Overcentre Non Vented	3
31	HC-25143	Cartridge Pilot Check	4
32	FA-28719	Screw Socket Cap Gr 12.9 M10X60 Blk	4
33	FA-32715	Screw Socket Cap Gr 12.9 M10X90 Blk	4
34	S1-33280	Wear Pad Side	4
35	S1-33281	Plate Backing Wear Side	4
36	S1-33282	Shim 2mm Wear Pad Side	4
37	S1-33283	Shim 1mm Wear Pad Side	4
38	S8-33305	Block Load Transfer 38mm	2
39	S8-33306	Block Load Transfer 32mm	2
40	S8-33307	Shim Load Transfer 1mm	2
41	S8-33308	Shim Load Transfer 2mm	2
42	S1-18365	Support Lower Stabiliser Leg Cyl	2
43	S1-31484	Retainer Long Wear Pad Crane Base Bolted	2
44	S3-31068	Wear Pad Crane Base 10mm	4
45	S8-32258 (S8-32256)	Bash Cover Bottom Arm RH (Bash Cover Bottom Arm LH)	1 1
46	S8-32257 (S8-32251)	Bash Plate Bottom Arm RH (Bash Plate Bottom Arm LH)	1
47	S3-26044	Block Spring Offside Bash Plate	1
48	S3-26048	Plate Bash Offside Crane Base	1
49	S3-31032	Washer Spring Block Offside Bash	1
50	S8-33340	Mount Offside Bash Plate	1
51	S8-33620 (S8-33633)	Plate Mounting Danfoss Bank RH (Plate Mounting Danfoss Bank LH)	1
52		Valve Danfoss PVG32 RHC (Valve Danfoss PVG32 LHC)	1
53	S8-33070	Bolt Anvil Machined TL Offside	1
54	S3-26034	Centre Twistlock Crane Base	1
55	S8-33069 (S8-33290)	Handle Twistlock Offside RH (Handle Twistlock Offside LH)	1 1
56	S8-33028 (S8-33288)	Handle Twistlock Liftside RH (Handle Twistlock Liftside LH)	1
57	FA-27891	Pin Roll M10 X 55	2



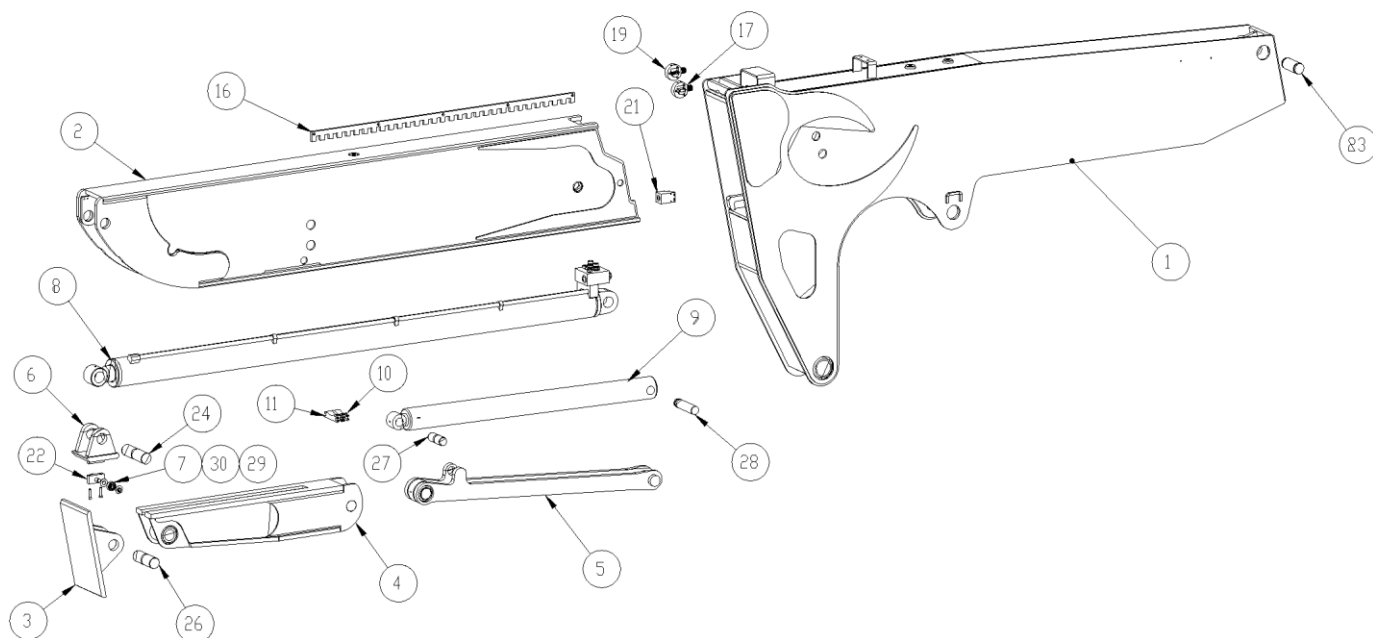
58	TP-22361	Ball Steel	2
59	TP-22382	Spring Twistlock Centre	2
60	FA-28750	Screw Grub M10 X 012	2
61	FA-28923	Circlip External M45	2
62	FA-28935	Circlip External M60 ZP	2
63	FA-31071	Circlip External M70	4
64	FA-34402	Screw Socket Head Shouldered Retainer	3



Stabiliser Legs Spare Parts

Bending Leg Stabiliser Spare Parts

Bending Leg Stabiliser SB361, SB401



Note: Please provide the Serial Number of the Sidelifter with all spare parts orders.

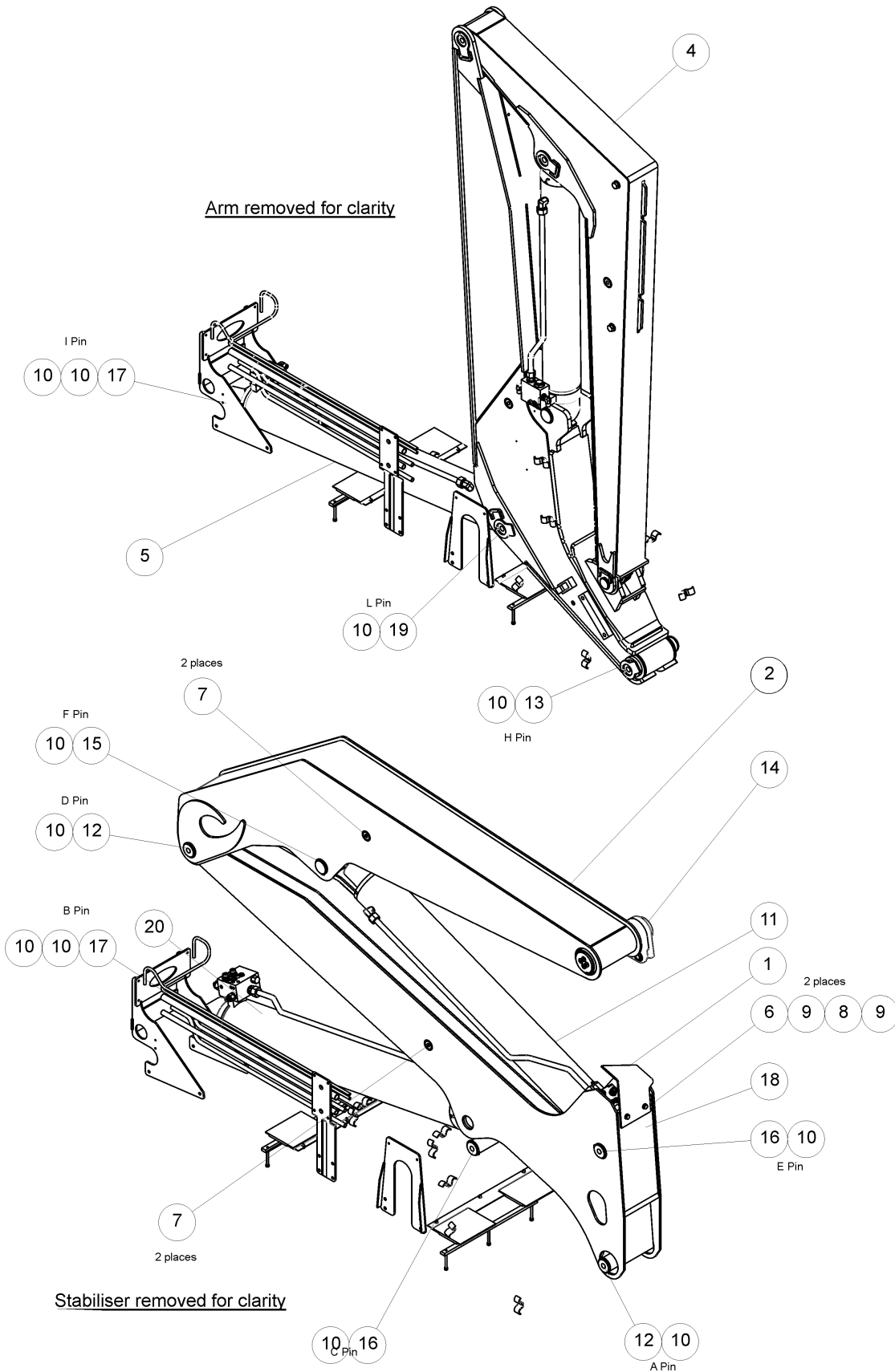
Item	Part Number	Description	Qty
1	S8-35157	Stabiliser Housing Bending leg	1
2	S8-35118	Stabiliser Extension Bending Leg	1
3	S8-35174	Foot - BL	1
4	S8-35098	Ankle Assembly BL	1
5	S8-35113	Link Assembly BL	1
6	S8-35107	Foot Swivel BL	1
7	BE-35577	Double Ball Bearing	2
8	HC-35570	Hydraulic Cylinder Assembly - Stabiliser Extension	1
9	HC-35169	Cylinder Assembly Ankle Extension	1
10	HC-35277	Clamp - Rear Ankle Extension Cylinder BL	1
11	HC-35278	Clamp - Front Ankle Extension Cylinder BL	1
12	S8-35706	Sensor Leg Deploy Mounting Block	1
13	S8-35708	Cover Proximity Sensor Leg Deploy	1



14	S8-35164	Bracket -Ankle Extended Sensor	1
15	S8-36525/S8-35167	Bracket -Ankle Retracted Sensor	1
16	EL-32922	Encoder Strip Stabiliser Extension -BL	1
17		Mount - Sensor Magnetic Assembly (EL-33269)	1
18	EL-35135	Sensor Inductive Proximity Type IQ10-06NPS-KT1	1
19	EL-33270	Optical Sensor Mount Assembly	1
20	EL-32921	Magnet Reset Stabiliser	2
21	EL-35136	Sensor -Inductive Proximity Type IQ40-35NPP-KCK	1
22	S8-35194	Pin - Foot Swivel	1
23	PN-18322	Pin J Ø45	1
24	PN-21817	Pin K Ø45	1
25	PN-35187	Pin M B L	1
26	PN-35166	Pin N BL	1
27	PN-35191	Link Pin - Ankle Cylinder BL	1
28	PN-35192	Pin - Ankle Cylinder BL	1
29	FA-35474	Circlip, External Diameter 14 (Zinc Plated)	2
30	FA-28845	Flat Washer M16X32 ZP	4
31	FA-28708	Screw- Socket Cap Grade 12.9 M8X35 Blk	2

Bridge Leg Stabiliser Spare Parts

Bridge Leg Stabiliser Assy SB362





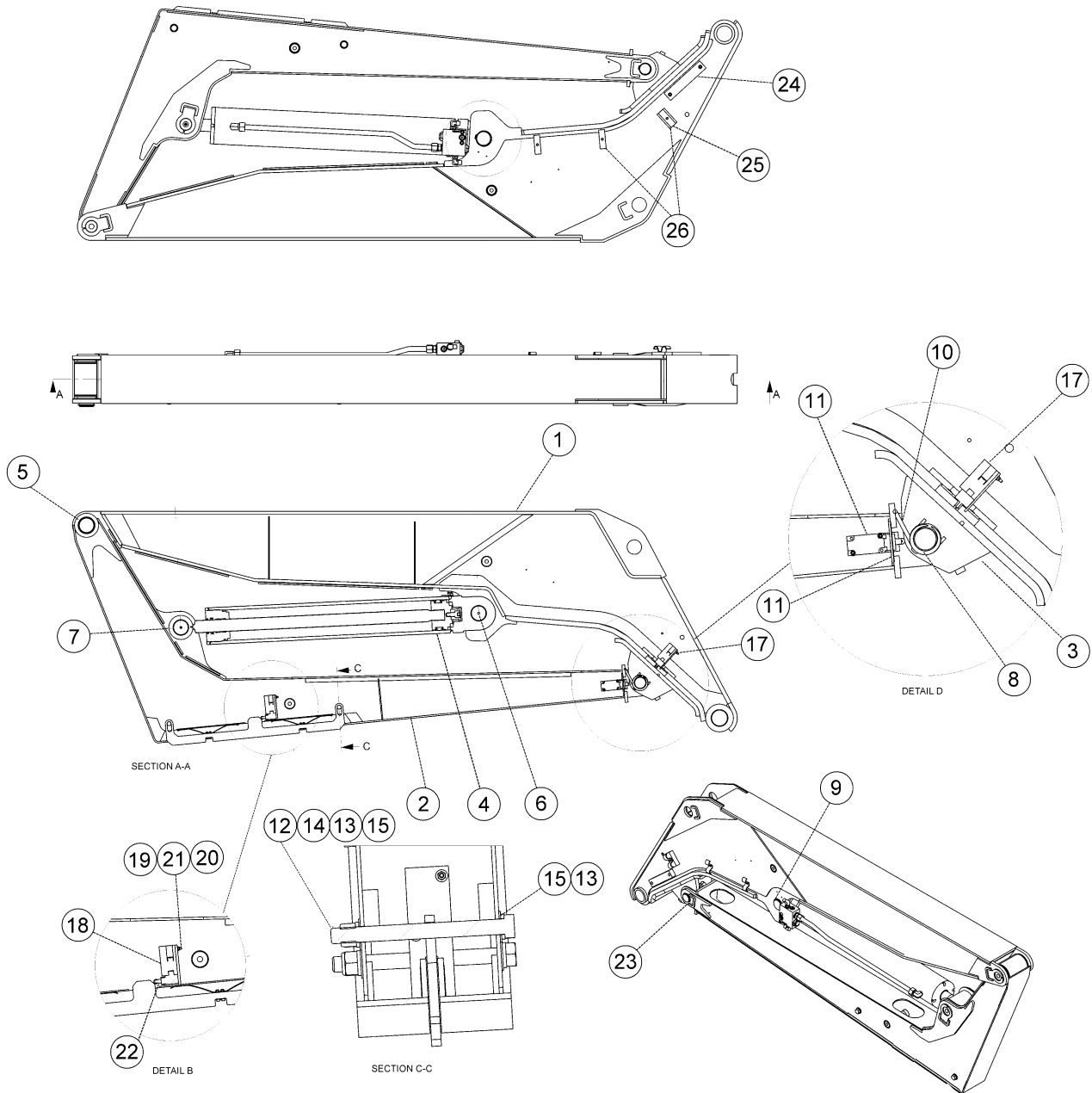
Note: Please provide the Serial Number of the Sidelifter with all spare parts orders.

Item	Part Number	Description	Qty	Notes
1	CR-40446L	Plate Bash Btm Arm SB362 LH	1	1
2	CR-41161L	Arm Top SB362 LH Pre-Drill	1	1
3	CR-41715L	#Kit Crn Base SB362 LH	1	1
4	CR-41739L	Kit Stab SB362	1	1
5	CR-41771	Assy Cyl Hyd Bridge Leg SB362	1	
6	FA-28623	Screw Set Hex Class 8.8 M10x30 ZP	2	
7	FA-28755	Screw Sckt Grub M16x16 ZP	4	
8	FA-28771	Nut Nyloc M10 ZP	2	
9	FA-28832	Washer Flat M10x21 ZP	4	
10	FA-28935	Circlip Extl M60 ZP	11	
11	HC-26059	Assy Cyl Hyd Top Lift LH SB330	1	
12	PN-21819	Pin A & D SB30 Ø60	2	
13	PN-21823	Pin H SB30 Ø60	1	
14	PN-41241	Pin G Clevis Type SB362	1	
15	PN-41245	Pin F SB362	1	
16	PN-41248	Pin C & E SB362	2	
17	PN-41767	Pin B & I Assy SB362	2	
18	S3-25928L	Arm Bottom SB330 LH Pre-Drill	1	1
19	PN-21826	Pin L SB30 Ø60	1	
20	HC-41424	Assy Cyl Hyd Bottom Lift SB362	1	

Note #	Notes
1	Part is handed. Use "L" suffix for LH part. Use "R" suffix for RH part.



Bridge Leg Stabiliser Assy Kit SB362



Note: Please provide the Serial Number of the Sidelifter with all spare parts orders.

Item	Part Number	Description	Qty	Notes
1	CR-41736	Bridge Leg SB362	1	
2	CR-41737	Outer Leg SB362	1	
3	CR-41726	Foot SB362	1	
4	CR-41770L	#Cyl Assy Hyd Outer LH Leg SB362	1	1
5	PN-21826	Pin L SB30 Ø60	1	
6	PM-41766	Pin J Assy SB362	1	
7	PN-41764	Pin Q Assy SB362	1	
8	PN-41765	Pin R Assy SB362	1	



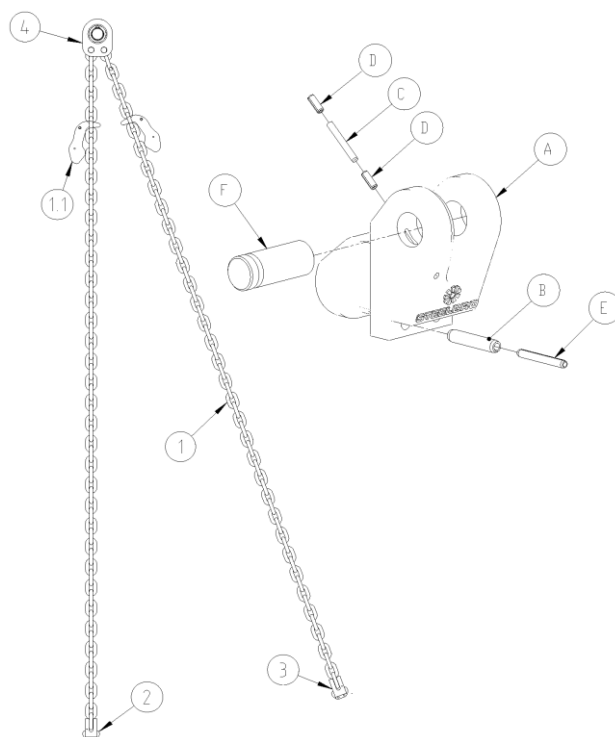
9	FA-28935	Circlip Extl M60 ZP	4	
10	CR-41754	Spring Foot SB362	1	
11	CR-41755	Sensor Assy Foot SB362	1	
12	FA-41986	Bolt Hex Class 8.8 M16x180 ZP	2	
13	FA-28845	Washer Flat M16X32 ZP	4	
14	FA-28774	Nut Nyloc M16 ZP	2	
15	FA-28849	Washer Spring M16 ZP	4	
16	CR-41777	Sensor Kneeling Bar Assy SB362	1	
17	CR-41758	Sensor Assy Bridge Leg SB362	1	
18	EL-27734	Body Lim Switch 1 X N/C 1 X N/O Telemec	1	
19	FA-28694	Screw Socket Cap Gr 12.9 M5X50 ZP	2	
20	FA-28821	Washer Flat M5X12.5 ZP	2	
21	FA-28768	Nut Nyloc M5 ZP	2	
22	EL-33684	Plunger Head End Telemec ZCK E65	1	
23	FA-28923	Circlip External M45	1	
24	CR-41810	Pad Hose Offset SB362	1	
25	CR-41811	Pad Hose Mnt SB362	1	
26	HC-25811	Clamp Double 1/2" Hose Plastic Dipped	3	

Note #	Notes
1	Part is handed. Use "L" suffix for LH part. Use "R" suffix for RH part.



Lifting Accessories

Chain Sling SB362



Notes:

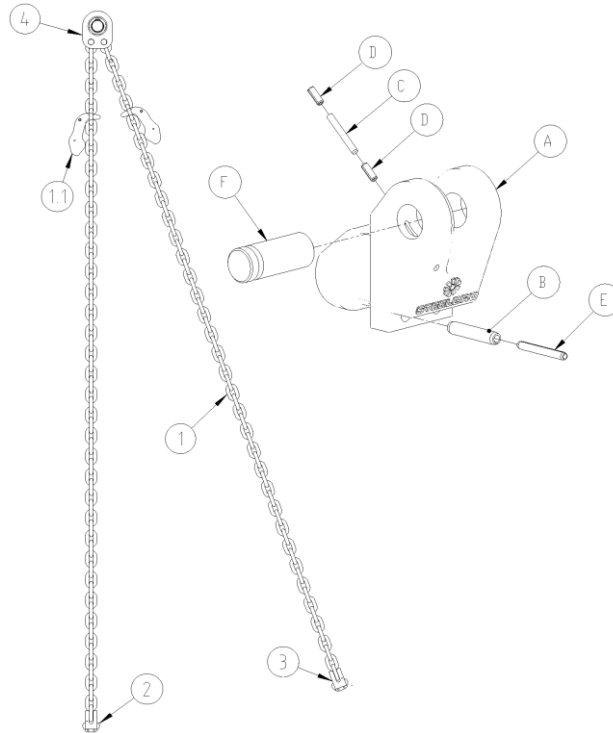
For RIGHT & LEFT hand lug details, refer to "Lifting Lug Instructions" in operators manual for roll pin position (B & E).

Please provide the Serial Number of the Sidelifter with all spare parts orders.

Item	Part Number	Description	Qty	Notes
	LF-33352	Complete Assembly - Chain Sling (not inc. Clevis)	2	per unit
1	LF-36199	Chain 16mm x 66 link	2	per sling
1.1	LF-32489	Shortening Claw VIP 16mm	2	per sling
3, 4		Lifting Lug assembly 16mm chain		Refer to close up
A	LF-34974	Lug Lifting Cast 16mm Chain Type 2	1	
B	FA-25659	Pin Roll M8 x 40 Blk	1	
C	FA-30057	Pin Dowel Hardened M4x28mm	1	
D	FA-30058	Pin Wave M4 x 12 S/S	2	
E	FA-30059	Pin Roll M5 x 40 Blk	1	
F	LF-26200	Pin Lifting Hook 20mm Chain	1	
5	PN-40425	Pin G Clevis	1	per sling



Chain Sling SB450 (16mm chains)



Notes:

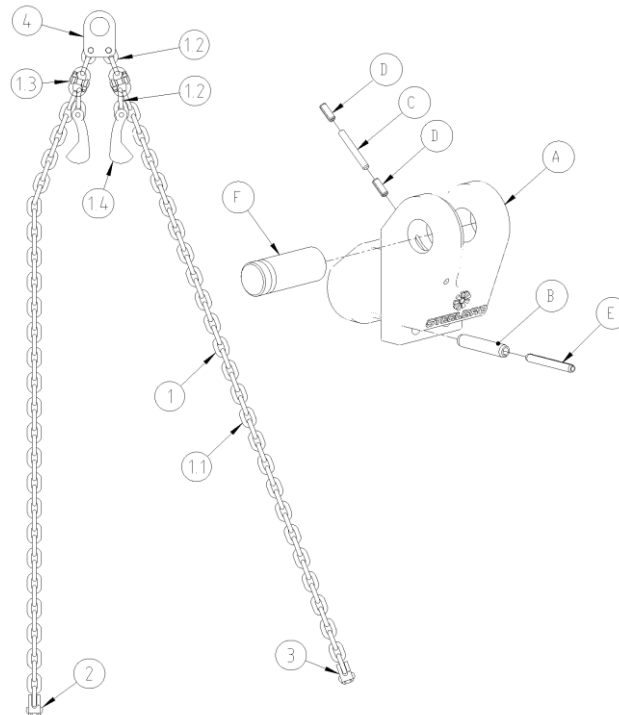
For RIGHT & LEFT hand lug details, refer to "Lifting Lug Instructions" in operators manual for roll pin position (B & E).

Please provide the Serial Number of the Sidelifter with all spare parts orders.

Item	Part Number	Description	Qty	Notes
1	LF-42396	Chain 16mm x 66 link	2	per sling
1.1	LF-42397	Shortening Claw ICE 16mm	2	per sling
2,3		Lifting Lug assembly 16mm chain		Refer to close up
A	LF-34974	Lug Lifting Cast 16mm Chain Type 2	1	
B	FA-25659	Pin Roll M8 x 40 Blk	1	
C	FA-30057	Pin Dowel Hardened M4x28mm	1	
D	FA-30058	Pin Wave M4 x 12 S/S	2	
E	FA-30059	Pin Roll M5 x 40 Blk	1	
F	LF-26200	Pin Lifting Hook 20mm Chain	1	
4	PN-33285	Pin G Clevis	1	per sling



Chain Sling SB450 (Clevis type)



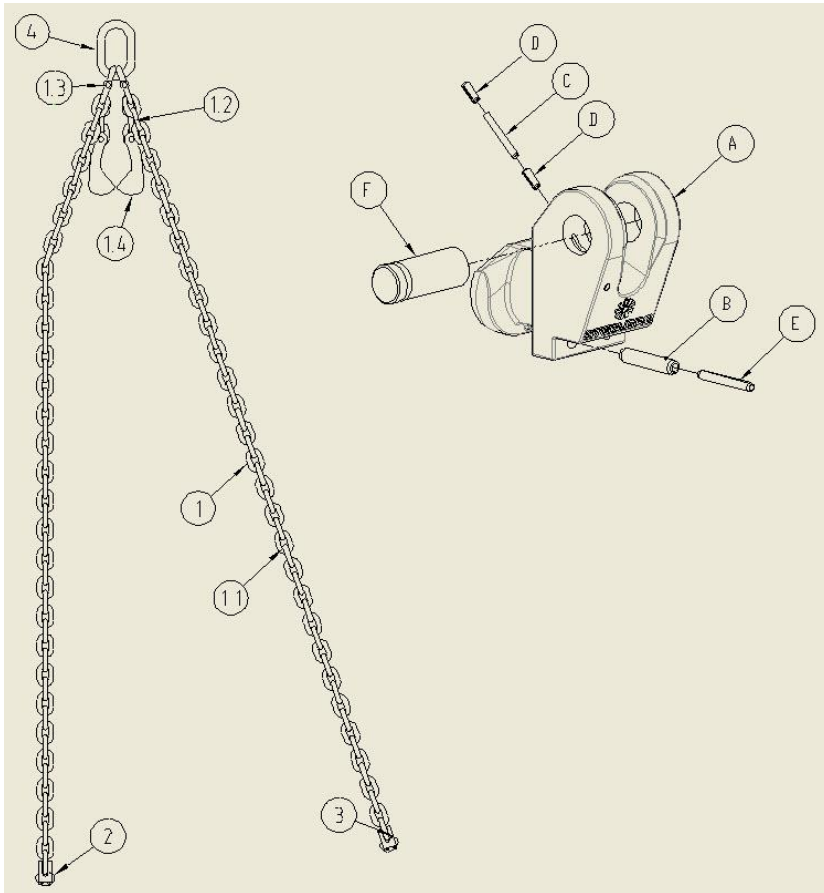
Notes:

For RIGHT & LEFT hand lug details, refer to "Lifting Lug Instructions" in operators manual for roll pin position (B & E).

Please provide the Serial Number of the Sidelifter with all spare parts orders.

Item	Part Number	Description	Qty	Notes
	LF-33353	Assembly - Chain Sling (not inc. Clevis)	2	per unit
1	LF-29549	Chain leg 20mm with shortener	2	per sling
1.1	LF-36724	Chain 20mm x 49 links	2	per sling
1.2	LF-36187	Chain 20mm x 2 links	2 or 4	per sling
1.3	LF-15282	Hammerlock	2	per sling
1.4	LF-36173	Shortening Claw 20mm	2	per sling
2, 3		Lifting Lug assembly 20mm chain		Refer to close up
A	LF-33328	Lifting Lug Casting 20mm Chain Type 2	1	
B	FA-25659	Pin Roll M8 x 40 Blk	1	
C	FA-30057	Pin Dowel Hardened M4x28mm	1	
D	FA-30058	Pin Wave M4 x 12 S/S	2	
E	FA-30059	Pin Roll M5 x 40 Blk	1	
F	LF-26200	Pin Lifting Hook Tested 20mm Chain	1	
4	PN-33260	Pin G Clevis	1	per sling

Chain Sling SB450 (Oblong Ring)



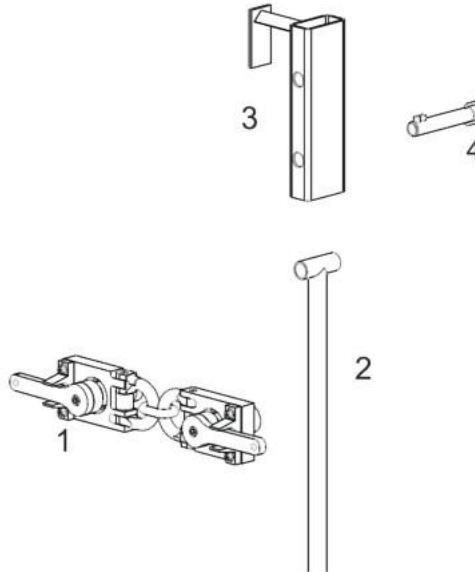
For RIGHT & LEFT hand lug details, refer to "Lifting Lug Instructions" in operators manual for roll pin position (B & E).

Item	Part Number	Description	Qty	Notes
		Assembly - Chain Sling with shorteners (LF-42241) Assembly - Chain Sling without shorteners (LF-42242)		
1	LF-42243 (LF-42244)	Chain Sling with shorteners (Chain Sling with no shorteners)	2	per unit
1.1	LF-36187	Chain 20mm x 50 links	2	per sling
1.2	LF-36187	Chain 20mm x 3 links	2	per sling
1.3	LF-15282	Hammerlocks	2	per sling
1.4	LF-36173	Shortening Claw 20mm	2	per sling
2, 3		Lifting Lug assembly 20mm chain		Refer to close up
A	LF-33328	Lug Lifting Cast 20mm Chain Type 2	1	
B	FA-25659	Pin Roll M8 x 40 Blk	1	
C	FA-30057	Pin Dowel Hardened M4x28mm	1	
D	FA-30058	Pin Wave M4 x 12 S/S	2	
E	FA-30059	Pin Roll M5 x 40 Blk	1	
F	LF-26200	Pin Lifting Hook Tested 20mm Chain	1	



4	LF-15281	Oblong Ring	1	Per sling
	PN-41904	Pin G (suit oblong ring)	1	Not shown

Container Joiners (linklock system)



Please provide the Serial Number of the Sidelifter with all spare parts orders.

Item	Part Number	Description	Qty	Notes
1	LF-20020	Connector Base Container Joiner	2	
2	LF-19956	Pole Container Joiner with Load Binder	2	1
3	LF-19955	Spacer Top Container Joiner	2	1
4	LF-19957	Pin Top Spacer Container Joiner	2	1
5	S1-34058	Bracket Pole Front Container Joiner Web Mn	2	2
6	S1-34060	Bracket Pole Rear Container Joiner	2	2
7	S1-26126	Bracket Stowage Container Joiner	2	2

Notes:

1. Optional item
2. Optional item (not shown)

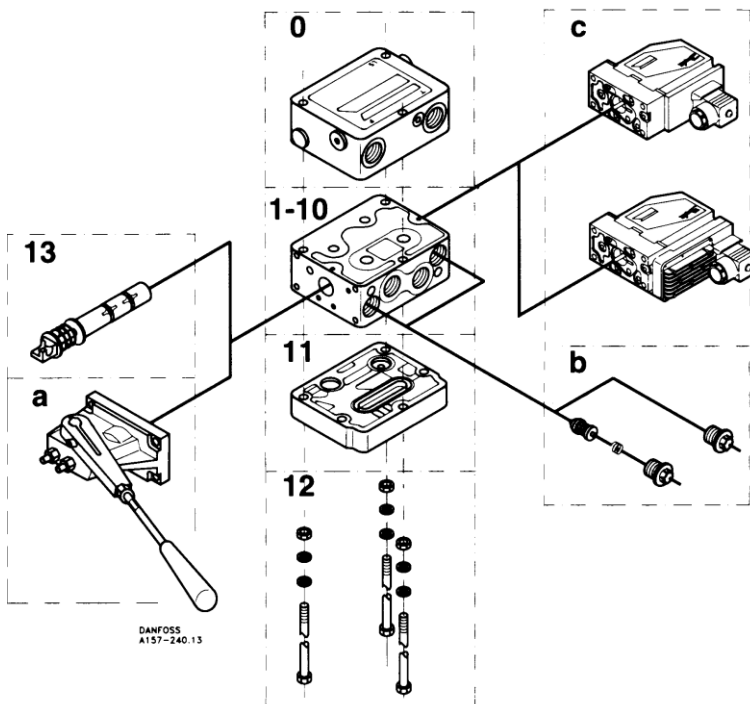


Hydraulic Components

Control Valve PVG32

This topic lists the options available for assembling the parts which make up a hydraulic control valve bank for control of Sidelifter crane arms.

The diagram below shows the parts schematics. The tables below the diagram show the options of each component available.



0 PVP Pump side modules

Code 157b...(pipe threads, ISO 228/1)	For PVE
Open centre T=G3/4, P=G3/4	5110
Closed centre T=G3/4, P=G3/4	5111
Weight (kg)	3.0



1-10 PVB Basic Valves

Code No 157b... (Pipe threads, ISO228/1)	No facilities for shock valves A & B	Facilities for shock valves A & B
With check valve	6100	6120
With Compensator valve	6200	6220
With compensator valve, LS _{A/B} relief valve and LS _{A/B} shuttle valve	6202	6222
Weight (kg)	3.1	3.0

11 End Plates PVS, PVS1

Code No. 157B...		Weight (kg)
PVS No LX	2000	0.05
PVS c/w LX	2011	0.05

12 PVAS, Assembly kit

Number of PVB	4	5	6	7
Code No. 157...	8004	8005	8006	8007
Weight (kg)	0.40	0.45	0.50	0.60

13 Standard main spools

Code No. 157b...	101	401	651	1001
Open centre	7001	7002	7003	7004
Closed centre	7100	7102	7103	7104

a PVM, mechanical actuations

Code No. 157b...		Angle on base
Standard	3171	22.5
	3172	35.7



b PVLA, anti-cavitation valve

Code No. 157b...		Weight (kg)	
Plug A or B	1002	0.04	
PVLP, shock & anti-cavitation valve Code No. 157b...	1080	1128	1175
Setting in bar	80	125	175
Weight (kg)	0.05	0.05	0.05

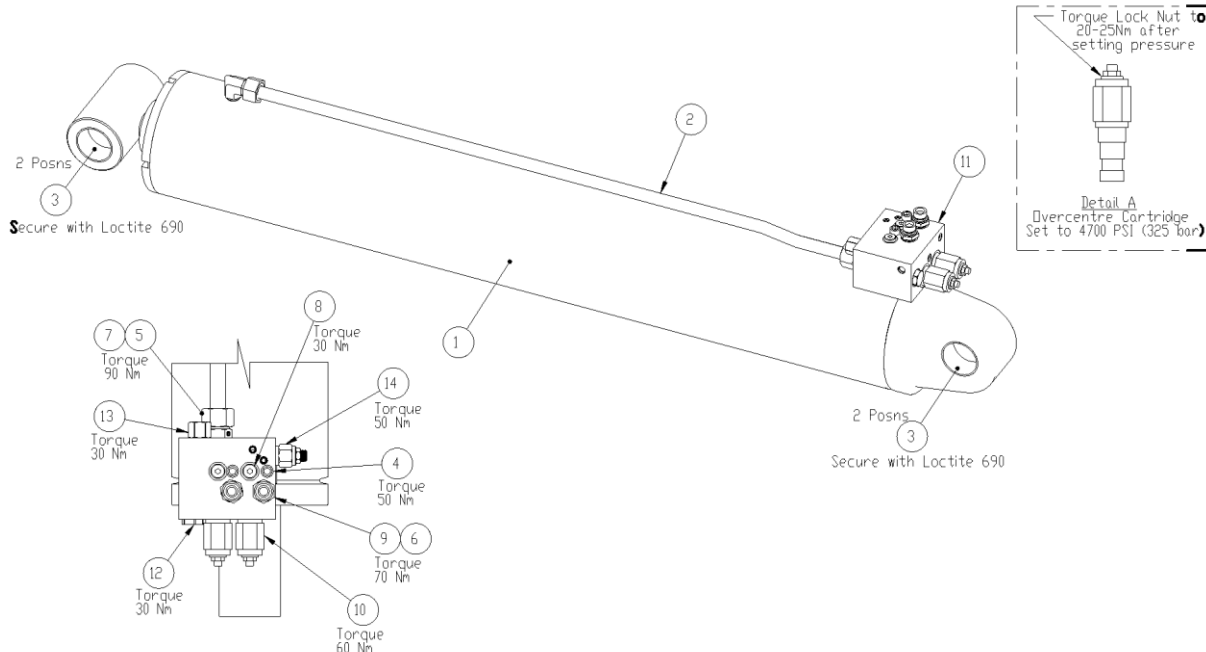
c PVE, electrical actuation

Code No. 157b	12 volt	24 volt	Weight (kg)
PVEO	4216	4228	0.9
PVEM	4116	4128	1.0



Hydraulic Cylinders SB362

Bottom Lift Cylinder Assembly

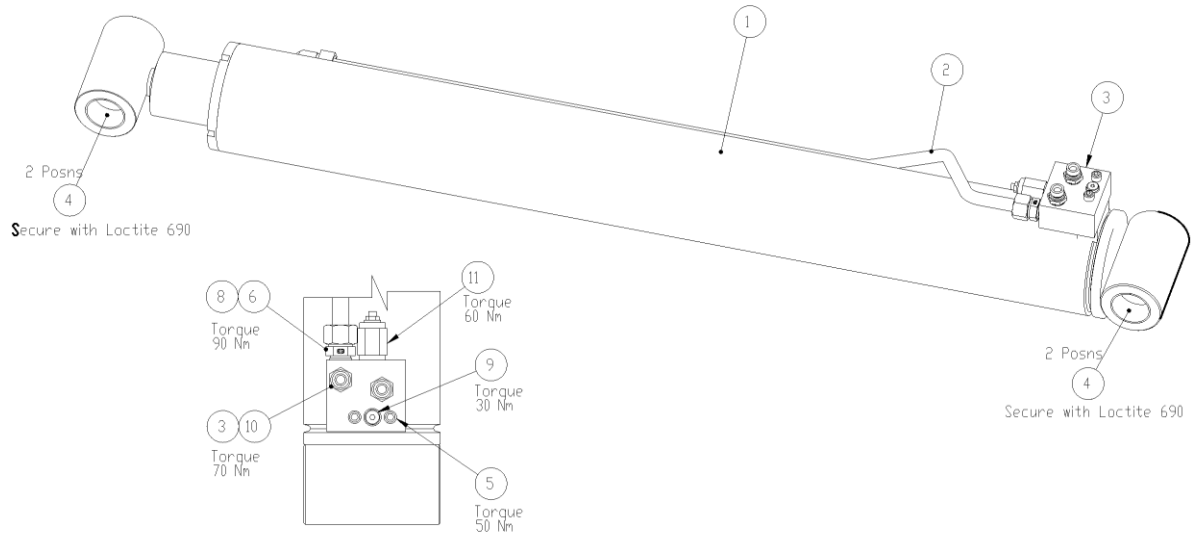


Note: Please provide the Serial Number of the sidelifter with all spare parts orders.

Item	Part Number	Description (SB362)	Qty	Notes
	HC-41424	Assembly Hyd Bottom Lift Cylinder		
1	HC-37529	Cylinder Hyd Bottom Lift	1	1
2	HC-37802	Tube Feed Bottom Lift Cylinder	1	
3	BE-29011	Bearing Glacier 60 ID x 40 long	4	
4	FA-28719	Screw Socket Cap Br 12.9 M10x60 Blk	2	
5	HF-41251	Adaptor 1/2BSPP/M-20mm Tube	1	
6	HF-40449	Washer Dowty Seal 3/8	2	
7	HF-40450	Washer Dowty Seal 1/2	1	
8	HF-40479	Plug 1/4BSPP	2	
9	HF-40456	Adaptor 1/2BSPP/M-3/8BSPP/M	2	
10	HC-25754	Cartridge Overcentre Non Vent 200-30	2	
11	HC-41400	Block Cartridge Double Port	1	
12	HC-41458	Cartridge Check Non Pilot	1	
13	HC-41457	Cartridge Logic - Vented Spool	1	
14	HC-41459	Cartridge Sequence Valve Pilot Operated	1	
	HC-37821	Seal Kit Bottom Lift Cylinder	1	



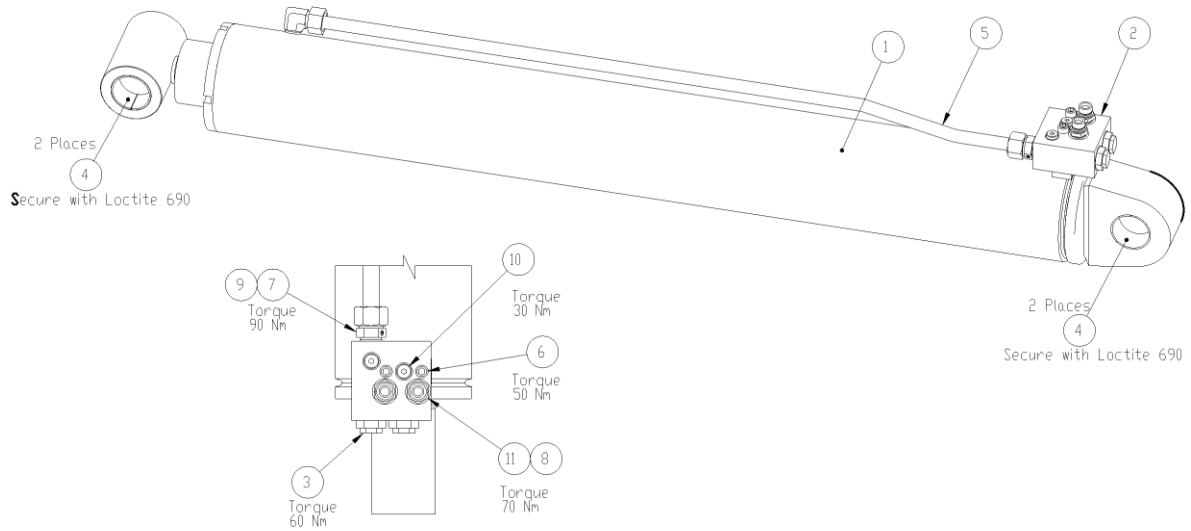
Top Lift Cylinder Assembly



Note: Please provide the Serial Number of the sidelifter with all spare parts orders.

Item	Part Number	Description (SB362)	Qty	Notes
	HC-26058 (HC-26059)	Assembly Cylinder Hyd Top Lift SB362 RH (Shown) (Assembly Cylinder Hyd Top Lift SB362 LH)		
1	HC-37544 (HC-37545)	Cylinder Hyd Top Lift RH (Cylinder Hyd Top Lift LH)	1	1
2	HC-37801	Feed Tube Top Lift Cylinder SB361	1	
3	HC-25753	Block Cartridge Single Port	1	
4	BE-29011	Bearing Glacier 60 ID x 40 long	4	
5	FA-28719	Screw Socket Cap Gr 12.9 M10X60 Blk	2	
6	HF-41251	Adaptor 1/2BSPP/M-20mm Tube	1	
7	HF-40449	Washer Dowty Seal 3/8	2	
8	HF-40450	Washer Dowty Seal 1/2	1	
9	HF-40479	Plug 1/4BSPP	1	
10	HF-40456	Adaptor 1/2BSPP/M-3/8BSPP/M	2	
11	HC-25754	Cartridge Overcentre Non Vent 200-30	1	
	HC-37822	Seal Kit Top Lift Cylinder	1	

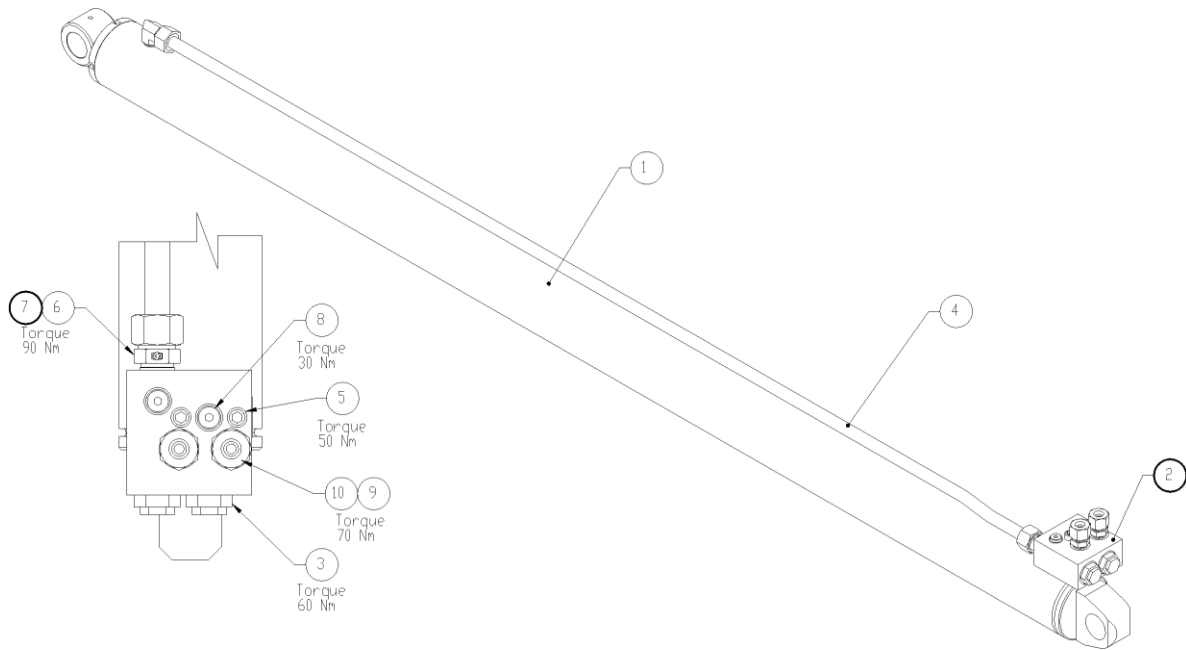
Stabiliser Tilt Cylinder Assembly



Note: Please provide the Serial Number of the sidelifter with all spare parts orders.

Item	Part Number	Description (SB362)	Qty	Notes
	HC-26057	Assembly Cylinder Hyd Stab Tilt		
1	HC-37561	Cylinder Hyd Stabiliser Tilt	1	1
2	HC-23366	Block Cartridge Double Port	1	
3	HC-25143	Cartridge Pilot Check	2	
4	BE-29011	Bearing Glacier 60 ID x 40 long	4	
5	HC-37804	Feed Tube Stab Tilt Cylinder	1	
6	FA-28719	Screw Socket Cap Gr 12.9 M10X60 Blk	2	
7	HF-41251	Adaptor 1/2BSPP/M-20mm Tube	1	
8	HF-40449	Washer Dowty Seal 3/8	2	
9	HF-40450	Washer Dowty Seal 1/2	1	
10	HF-40479	Plug 1/4BSPP	2	
11	HF-40456	Adaptor 1/2BSPP/M-3/8BSPP/M	2	
	HC-37824	Seal Kit Stabiliser Tilt Cylinder	1	

Stabiliser Extend Cylinder Assembly



Note: Please provide the Serial Number of the sidelifter with all spare parts orders.

Item	Part Number	Description (SB362)	Qty	Notes
	HC-26056	Assembly Cylinder Hyd Stabiliser Extend		
1	HC-37631	Cylinder Hyd Stab Extn	1	
2	HC-23366	Block Cartridge Double Port	1	
3	HC-25143	Cartridge Pilot Check	2	
4	HC-37803	Tube Feed Stab Ext Cylinder	1	
5	FA-28719	Screw Socket Cap Gr 12.9 M10X60 Blk	2	
6	HF-41251	Adaptor 1/2BSPP/M-20mm Tube	1	
7	HF-40450	Washer Dowty Seal 1/2	1	
8	HF-40479	Plug 1/4BSPP	2	
9	HF-40501	Adaptor 3/8BSPP/M-16mm Tube	2	
10	HF-40449	Washer Dowty Seal 3/8	2	
	HC-37823	Seal Kit Stabiliser Extension Cylinder	1	

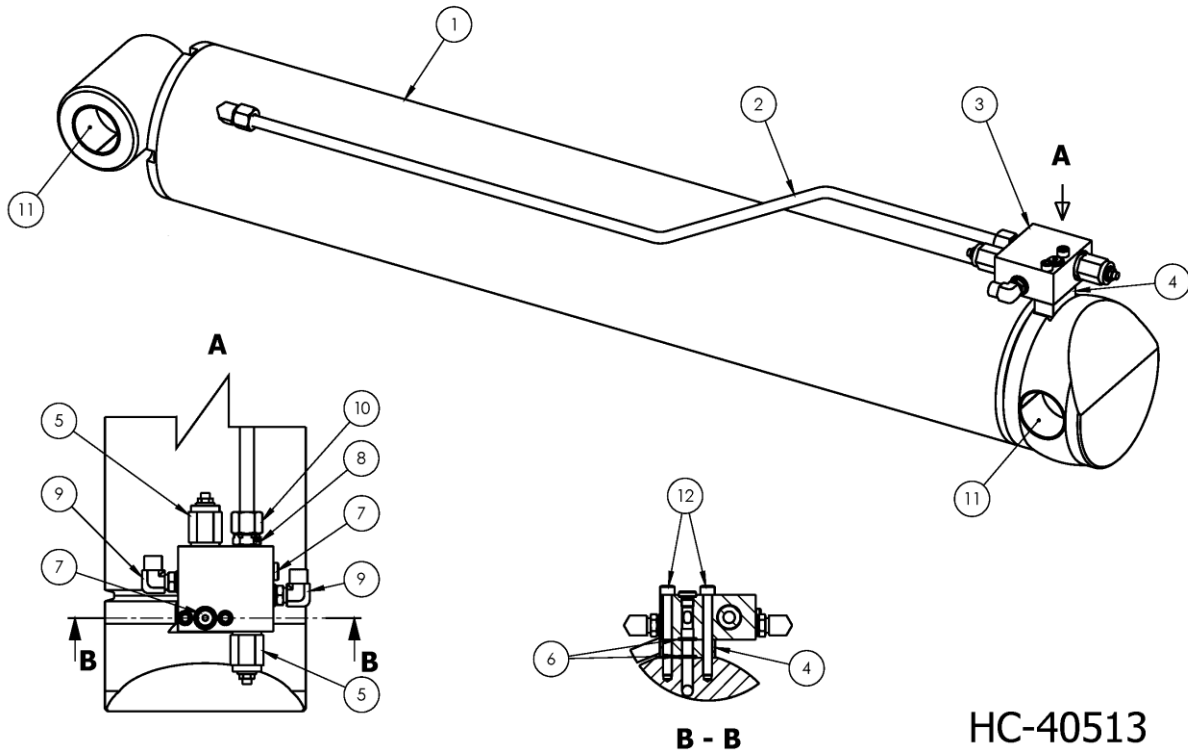
Notes:

1. For identification, always provide serial numbers of sidelifter and/or cylinder.



Hydraulic Cylinders SB450

Bottom Lift Cylinder Assembly

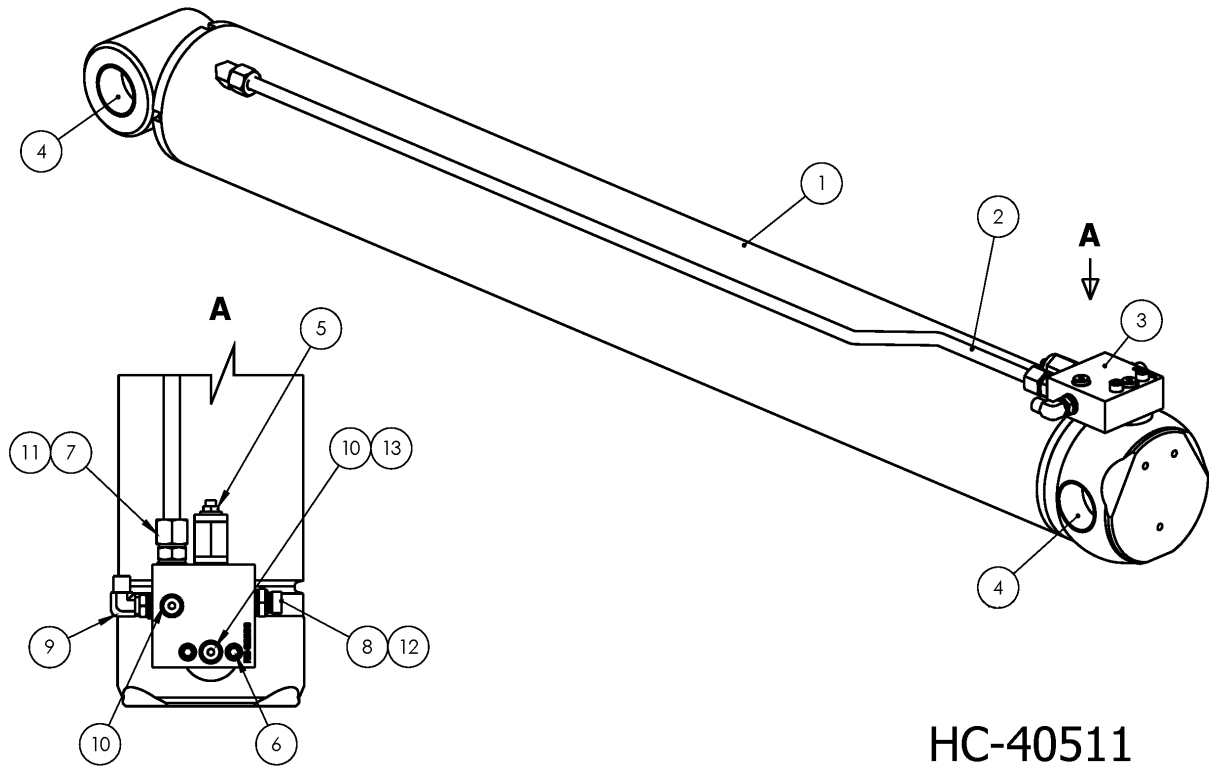


HC-40513

Note: Please provide the Serial Number of the sidelifter with all spare parts orders.

Item	Part Number	Description (SB450)	Qty	Notes
	HC-40513 (HC-40512)	Cylinder Hyd Bottom Lift RH Crane Assy (Cylinder Hyd Bottom Lift LH Crane Assy)		
1	HC-40135	Cylinder Hyd Bottom Lift	1	1
2	HC-32831 (HC-32833)	Feed Tube Feed Bottom Lift Cyl RH (shown) (Feed Tube Feed Bottom Lift Cyl LH)	1	
3	HC-32294	Block Cartridge Low Height Double Port	1	
4	HC-32295	Block Riser Cartridge	1	
5	HC-25754	Cartridge Overcentre Non Vented	2	
6	HC-42185	O-Ring 15.54 x 2.62 N70	2	
7	HF-40479	Plug 1/4 BSPP	2	
8	HF-42493	Adaptor M24S-1/2BSPP ED	1	
9	HF-42496	Adaptor M20 x 3/8" BSPP 90° Elbow ED Seal	2	
10	HF-42501	Nut & Olive M24S	1	
11	BE-29013	Bearing Glacier 70 ID x 60 long	4	
12	FA-32715	Screw Socket Cap Gr 12.9 M10x90 Blk	2	

Top Lift Cylinder Assembly

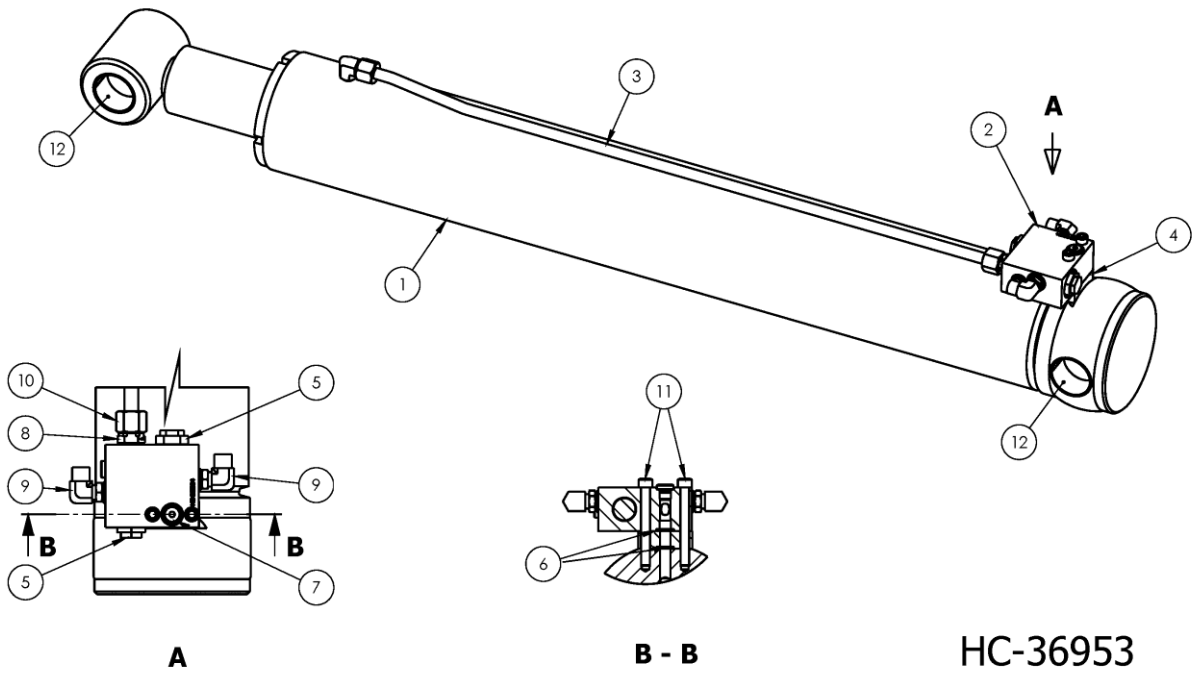


HC-40511

Note: Please provide the Serial Number of the sidelifter with all spare parts orders.

Item	Part Number	Description (SB450)	Qty	Notes
	HC-40511	Assembly Cylinder Hyd Top Lift	1	
1	HC-40157	Cylinder Hyd Top Lift	1	1
2	HC-32830	Feed Tube Top Lift Cylinder	1	
3	HC-32293	Block Cartridge Low Height Single Port	1	
4	BE-29011	Bearing Glacier 60 ID x 40 long	4	
5	HC-25754	Cartridge Overcentre Non Vented	1	
6	FA-28719	Screw Socket Cap Gr 12.9 M10x60 Blk	2	
7	HF-40464	Adaptor 1/2BSPP/M-16mm Tube	1	
8	HF-40456	Adaptor 1/2BSPP/M-3/8BSPP/M	1	
9	HF-40485	Elbow Adj 3/8BSPP/M - 3/8BSPP/M	1	
10	HF-40479	Plug 1/4BSPP	2	
11	HF-40450	Washer Dowty Seal 1/2	1	
12	HF-40449	Washer Dowty Seal 3/8	2	
13	HC-42185	O-Ring 15.54 x 2.62 N70	1	

Stabiliser Tilt Cylinder Assembly

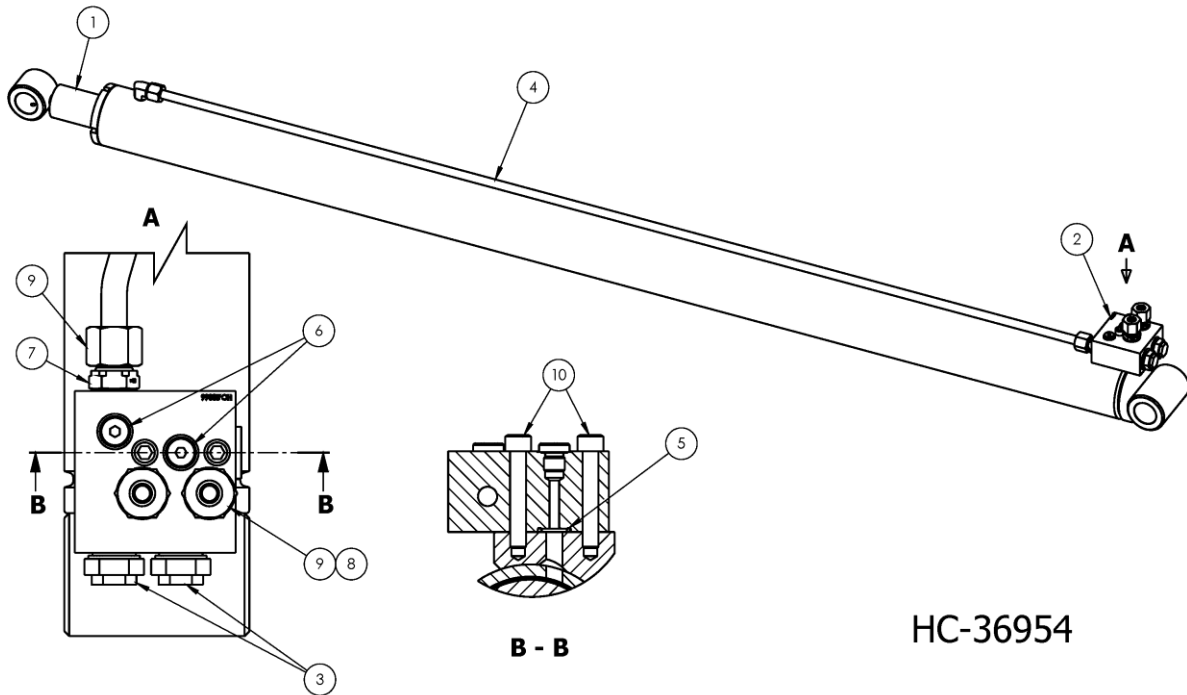


HC-36953

Note: Please provide the Serial Number of the sidelifter with all spare parts orders.

Item	Part Number	Description (SB450)	Qty	Notes
	HC-36953 (HC-36952)	Assembly Cylinder Hyd Stab Tilt RH (Assembly Cylinder Hyd Stab Tilt LH)		
1	HC-36939	Cylinder Hyd Stabiliser Tilt	1	1
2	HC-32294	Block Cartridge Low Height Double Port	1	
3	HC-36974	Feed Tube Stab Tilt Cylinder	1	
4	HC-32295	Block Riser Cartridge	1	
5	HC-25143	Cartridge Pilot Check	2	
6	HC-42185	O-Ring 15.54 x 2.62 N70	2	
7	HF-40479	Plug 1/4BSPP	2	
8	HF-42493	Adaptor M24S-1/2BSPP ED	1	
9	HF-42496	Adaptor M20 x 3/8" BSPP 90o Elbow ED Seal	2	
10	HF-42501	Nut & Olive M24S	1	
11	FA-32715	Screw Socket Cap Gr 12.9 M10x90 Blk	2	
12	BE-29011	Bearing Glacier 60 ID x 40 long	4	

Stabiliser Extend Cylinder Assembly



HC-36954

Note: Please provide the Serial Number of the sidelifter with all spare parts orders.

Item	Part Number	Description (SB450)	Qty	Notes
	HC-36954	Assembly Cylinder Hyd Stabiliser Extend		
1	HC-36944	Cylinder Hyd Stab Extn	1	1
2	HC-23366	Block Cartridge Double Port	1	
3	HC-25143	Cartridge Pilot Check	2	
4	HC-36975	Feed Tube Stabiliser Ext Cylinder	1	
5	HC-42185	O-Ring 15.54 x 2.62 N70	1	
6	HF-40479	Plug 1/4BSPP	2	
7	HF-42493	Adaptor M24S-1/2BSPP ED	1	
8	HF-42494	Adaptor M24-3/8BSPP ED	2	
9	HF-42501	Nut & Olive M24S	3	
10	FA-28719	Screw Socket Cap Gr 12.9 M10X60 Blk	2	

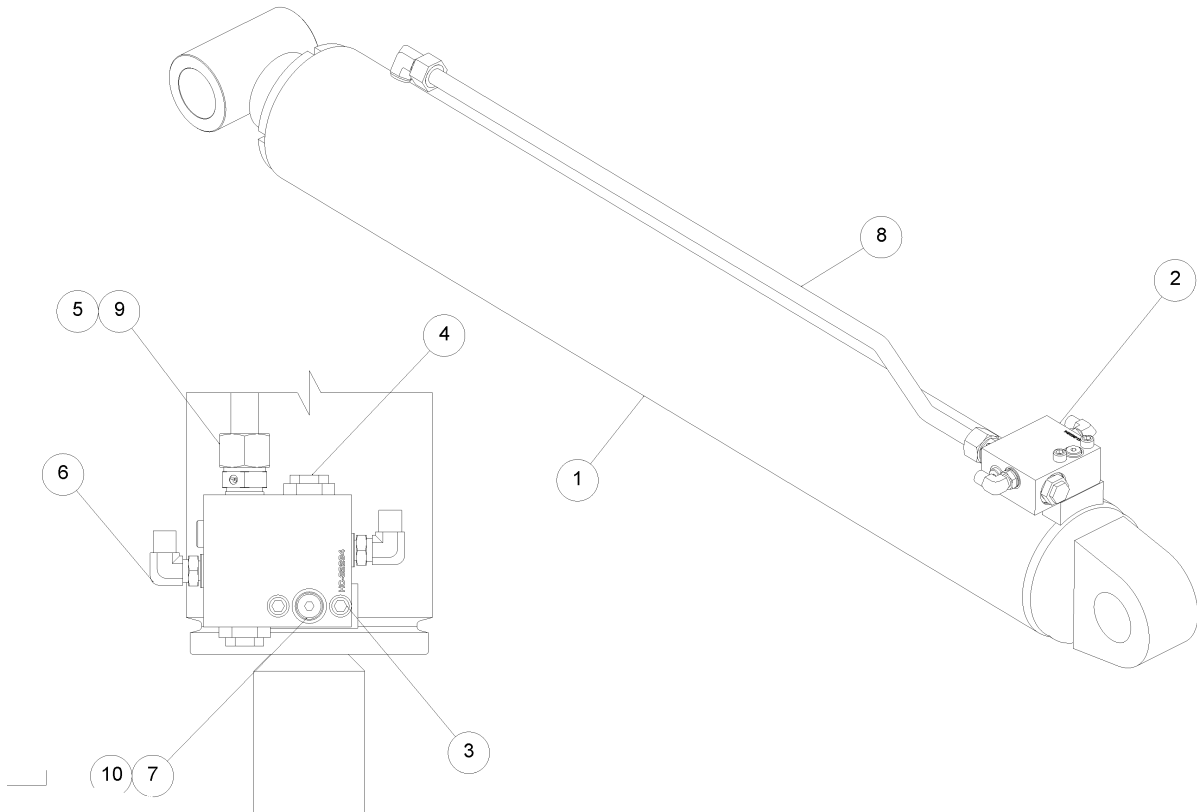
Notes:

1. For identification, always provide serial numbers of Sidelifter and/or cylinder.

Bridge Leg Stabiliser Hydraulics Spare Parts



Bridge Leg Stabiliser Assy Hyd Bridge Beam



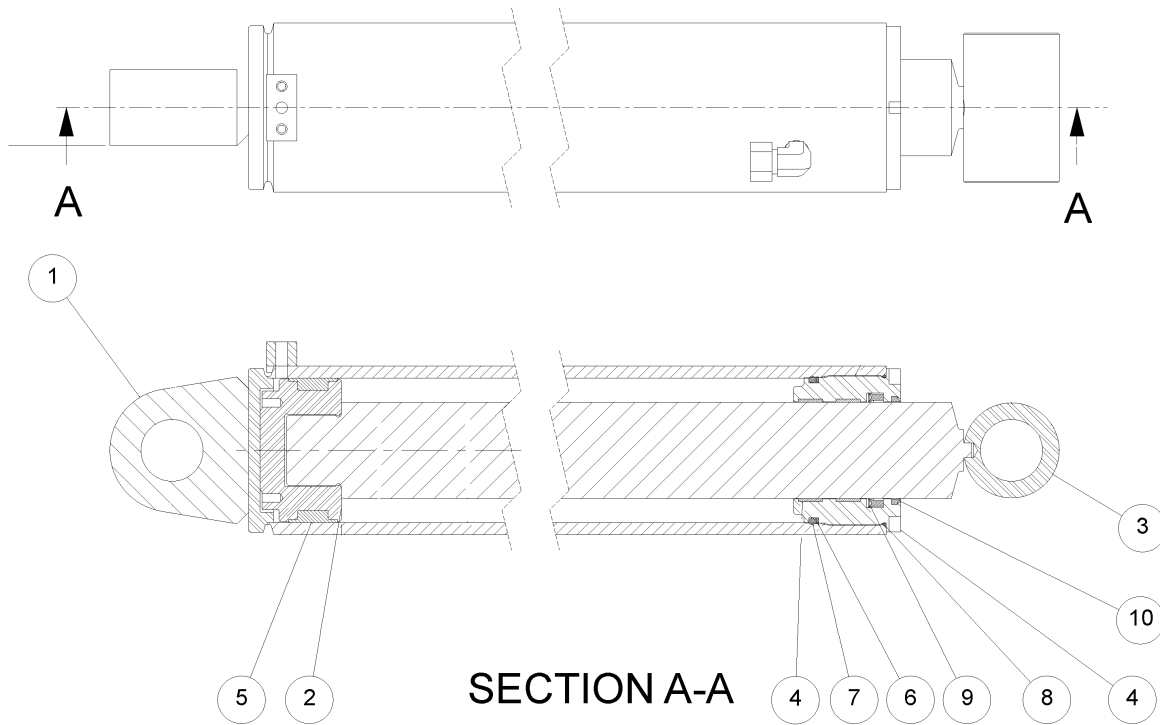
Note: Please provide the Serial Number of the Sidelifter with all spare parts orders.

Item	Part Number	Description	Qty	Notes
1	HC-41874	Cylinder Hyd Stab Tilt SB362	1	
2	HC-32294	Block Cartridge Low Height Double Port	1	
3	FA-32715	Screw Socket Cap Gr 12.9 M10x90 Blk	2	
4	HC-25143	Cartridge Pilot Check	2	
5	HF-40450	Washer Dowty Seal 1/2	1	
6	HF-40485	Elbow Adj 3/8BSPP/M - 3/8BSPP/M	2	
7	HF-40479	Plug 1/4BSPP	2	
8	CR-41783	Tube Feed Stab Cyl SB362	1	
9	HF-41251	Adaptor 1/2BSPP To 20mm Tube	1	
10	HC-42185	O-Ring 15.54 x 2.62 N70	1	

Note #	Notes



Bridge Leg Stabiliser Assy Hyd Bridge Beam Seal Kit



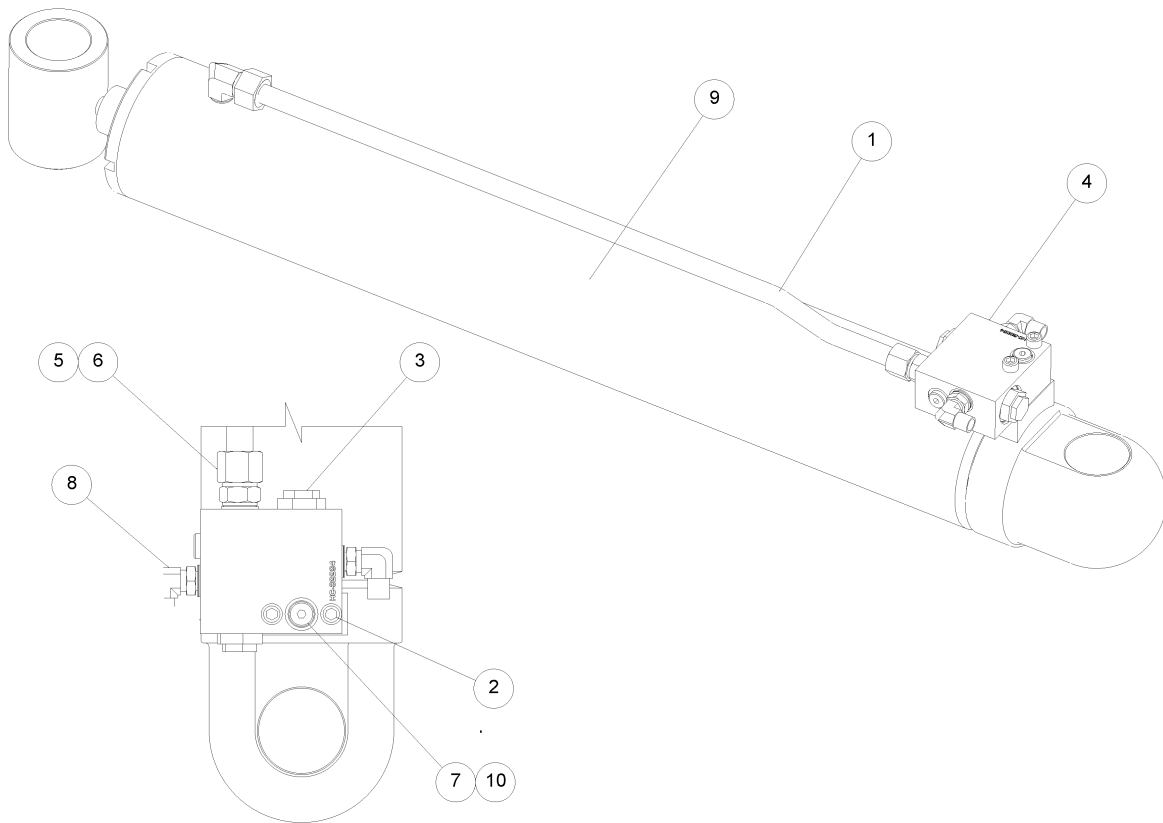
Note: Please provide the Serial Number of the Sidelifter with all spare parts orders.

Item	Part Number	Description	Qty	Notes
1	HC-41872	Barrel Assy Stab Tilt Hyd Cyl SB362	1	
2	HC-37555	Piston Stab Tilt Hyd Cyl SB330	1	
3	HC-41873	Rod Assy Stab Tilt Hyd Cyl SB362	1	
4	HC-37553	Gland Cyl Hyd Stab Tilt SB330	1	
5	HC-37578	Seal Piston Hallite Type 53 6"	1	
6	HC-37582	Backup Ring for O-Ring 142.24 x 6.99 N90	1	
7	HC-37581	O-Ring 142.24 x 6.99 N70	1	
8	HC-37583	O-Ring 151.99 x 3.53 N70	1	
9	HC-37579	Seal Gland Hallite Type 605 4"x4.75"x.625	1	
10	HC-37580	Seal Wiper Hallite Type 520 4"	1	
11	HC-37584	Wear ring 4.25' x 4'X1'	2	

Note #	Notes



Bridge Leg Stabiliser Assy Hyd Outer Leg



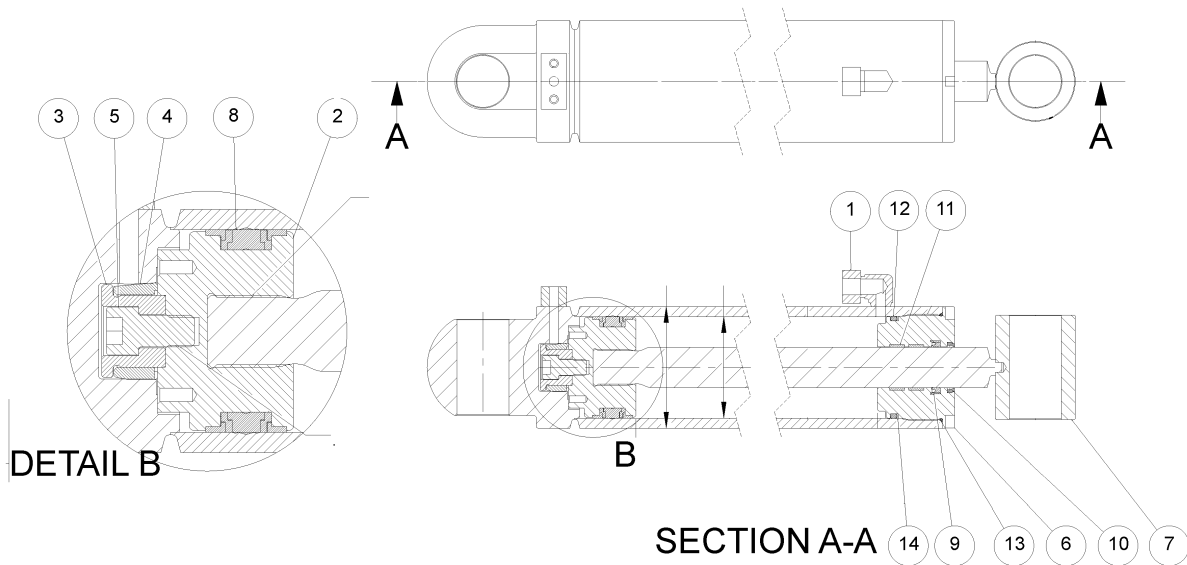
Note: Please provide the Serial Number of the Sidelifter with all spare parts orders.

Item	Part Number	Description	Qty	Notes
1	CR-41780	Tube Feed Outer Cyl SB362	1	
2	FA-32715	Screw Socket Cap Gr 12.9 M10x90 Blk	2	
3	HC-25143	Cartridge Pilot Check	2	
4	HC-32294	Block Cartridge Low Height Double Port	1	
5	HF-40450	Washer Dowty Seal 1/2	1	
6	HF-40464	Adaptor 1 /2BSPP/M-16mm Tube	1	
7	HF-40479	Plug 1/4BSPP	2	
8	HF-40485	Elbow Adj 3/8BSPP/M - 3/8BSPP/M	2	
9	HC-41882	Cylinder Hyd Stab Extn SB362	1	
10	HC-42185	O-Ring 15.54 x 2.62 N70	1	

Note #	Notes



Bridge Leg Stabiliser Assy Hyd Outer Leg Seal Kit



Note: Please provide the Serial Number of the Sidelifter with all spare parts orders.

Item	Part Number	Description	Qty	Notes
1	HC-41889	Barrel Ass Hyd Cyl Stab Ext SB362	1	
2	HC-41879	Piston Hyd Cyl Stab Ext SB362	1	
3	HC-41878	Retainer Cushion Hyd Cyl Stab Ext SB362	1	
4	HC-41877	Sleeve Cushion Hyd Cyl Stab Ext SB362	1	
5	HC-41883	Socket Head Cap Screw M20 x 35	1	
6	HC-41884	Gland Cyl Hyd Stab Extn SB362	1	
7	HC-41890	Rod Assembly Hyd Cyl Stab Ext SB362	1	
8	HC-41891	Seal Piston Hallite Type 53 5"	1	
9	HC-41892	Seal Gland Hallite Type 621 2"x2.5"x.375	1	
10	HC-39090	Seal Wiper Hallite Type 520 2.0'	1	
11	HC-41894	Wear Ring 2.25" x 2" x .75"	2	
12	HC-41895	O Ring 4 1/2" x 1/4" N70	1	
13	HC-41896	O Ring 5" x 1/8" N70	1	
14	HC-41897	Backup for O Ring 4 1/2" x 1/4" N90	1	

Note #	Notes



Electrical Components

Electrical Parts

This section lists spare parts common to both Analogue and Digital control systems.

Lamps

		
Pilot Lamp	Lamp - Hella	Indicator Bulb
Green EL-31610 Amber EL-31612 Red EL-27723	Green EL-27464 Amber EL-27465 Red EL-27466	12v 4w EL-27369 24v 4w EL-29272
		
Lamp Holder	Warning Lamp	Work Lamp
EL-27726	EL-31984	EL-33298

Switches & Buttons

Key Starter Switch	Stop Mushroom Latching Head Only Telemec	Block Contact N/O Collar ZBE-101
EL-32875	EL-27721	EL-31088
Block Contact N/C Collar ZBE-102	Block Contact N/C C/W Collar ZB5-AZ102	Body limit switch telemec
EL-31089	EL-31087	EL-27734
Plunger Head End Telemec	plunger stab deployed	Enclosure emergency stop complete
EL-33684	EL-26088 - Plunger S1-26119 - Spring	EL-31404



Fuses



Fuse

0.5A	Orange	EL-27649
2.0A	Clear	EL-33678
3.0A	Purple	EL-35625
4.0A	Pink	EL-35626
7.5A	Brown	EL-27650
10 A	Red	EL-27651
15 A	Blue	EL-27652

Cables



Cable - Standard

2 Core	EL-27377
3 Core	EL-27376
4 Core	EL-27375
15 Core	EL-33905
19 Core	EL-29110
25 Core	EL-33483



Cable - Dangerous Goods

2 Core	EL-33903
3 Core	EL-33422
4 Core	EL-33904
15 Core	EL-33905
19 Core	EL-29110
25 Core	EL-33483

Container Detection



		
Switch Photo Sensor. (container detection)	LED Amber with 5m cable	LED Bracket
EL-22723	EL-30619	CR-42377 (supercedes S1-40238)

Plugs

		
Hirschmann Plug For Danfoss PVG Valves	Hirschmann Plug With LED For Engine Hi Speed Engine Safety	Kubota Plug For engine run/stop
EL-22637	EL-32871	KU-41347
		
Hirschmann Plug For engine throttle	Kubota Plug For engine Alternator	
EL-32872	KU-41410	



Engine Parts

	
Fusible Link	Coil For Hi Speed Safety Dump
EL-30888	HC-18973



Control System

The latest analogue and digital Sidelifter designs have electrical control boxes which use a PCB design rather than a conventional wiring loom.

Analogue Control



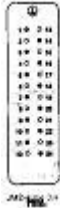
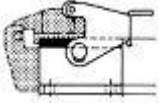



B-Box (PCB)





Note: Please provide the Serial Number of the Sidelifter with all spare parts orders.

			
Assembly PCB series 3A 'B' box SE402	Controller Flow EHF Danfoss 155U090500	Glow Plug timer	Capacitor
EL-37626	EL-18751	KU-15471-65950	12V EL-26298 24V EL-33657
			



Relay 5 pin Hella	Relay 4 pin Hella	Relay Finder	Flasher Unit 12V 3P
12v EL-27485 24v EL-27486	12V EL-27483 24v EL-27484	12V EL-20429 24V EL-29569	EL-27429
			
Meter Hour Run 10-30V DC	Switch Push Pull Hella 2761	Insert 24 Way Female Phoenix	Base panel Mt 24 way single latch weidemuller
EL-27567	EL-27467	EL-27407	EL - 27410
			
Lamp Clearance Front Hella	Lamp Internal	Connector Relay 4 & 5 Pin	
EL-27428	EL-27463	EL-27540	

Module Box

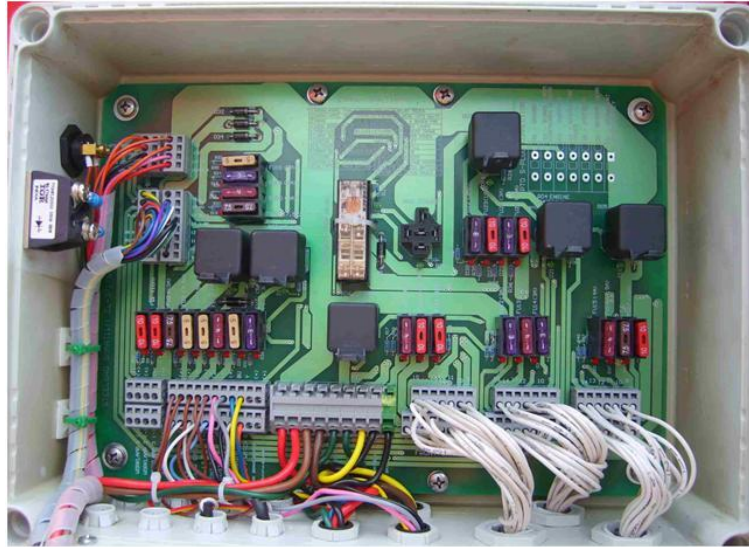
	
Alarm Bleeper	Assembly PCB Module
EL-31949	EL-37403
	Note: To suit PCB EL-37182











Digital/SMARTlift Control

Digital/SMARTlift Control




E-Box (PCB)






E-Box Components

			
Enclosure	E Box PCB Board Assembly-Digital	Block Contact N/O Collar ZBE-101	Block Contact N/C Collar ZBE-102
Enclosure - EL-33673 Decal Smartlift - DE-35707 Decal Digital - DE-35709 Decal PTO - DE-35920	EL-37675	EL-31088	EL-31089
	Note: to suit EL-37178 PCB		
			
Diode 70A	Override Push Button	Stop Mushroom Latching Head Only Telemec	Key Starter Switch



EL-35724	EL-34232	EL-27721	EL-32875
			
Relay 5 pin With Diode Protection Hella	Relay 4 pin With Diode Protection Hella	Connector Relay 4 & 5 Pin	
12v EL-33852 24v EL-36429	12V EL-33851 24v EL-34589	EL-27540	

Crane C & D Boxes

		
Terminal	Resistor 120 Ohm	Fuse Terminal
EL-34622	EL-32876	EL-31980









Display Box

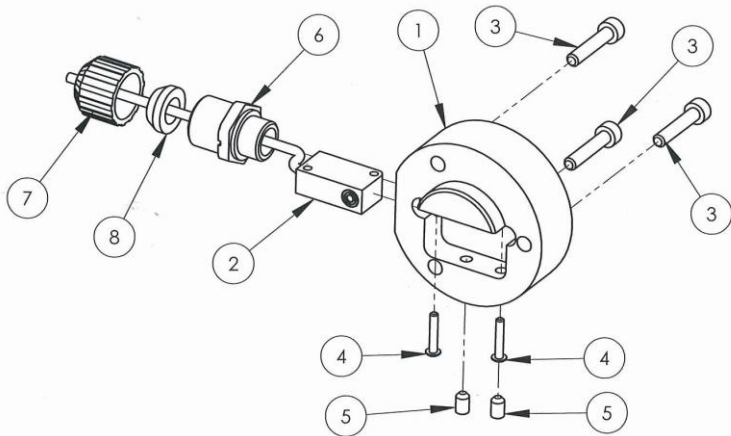
			
B Box PCB Board Assembly	Toggle Switch Cover	Toggle Switch	Battery Voltage Meter
EL-37677	EL-33680	EI-32869	EL-32868
Note: To suit EL-37179 PCB			

Digital/SMARTlift Control ECU and Display Parts

		
Display Graf - Syteco Time Clock Real	Controller ESX DIOS Module 8DO	Controller ESX 24V 1-4PWM 5-12PVG
EL-32862	EL-32860	EL-32858

SMARTlift Sensor Parts

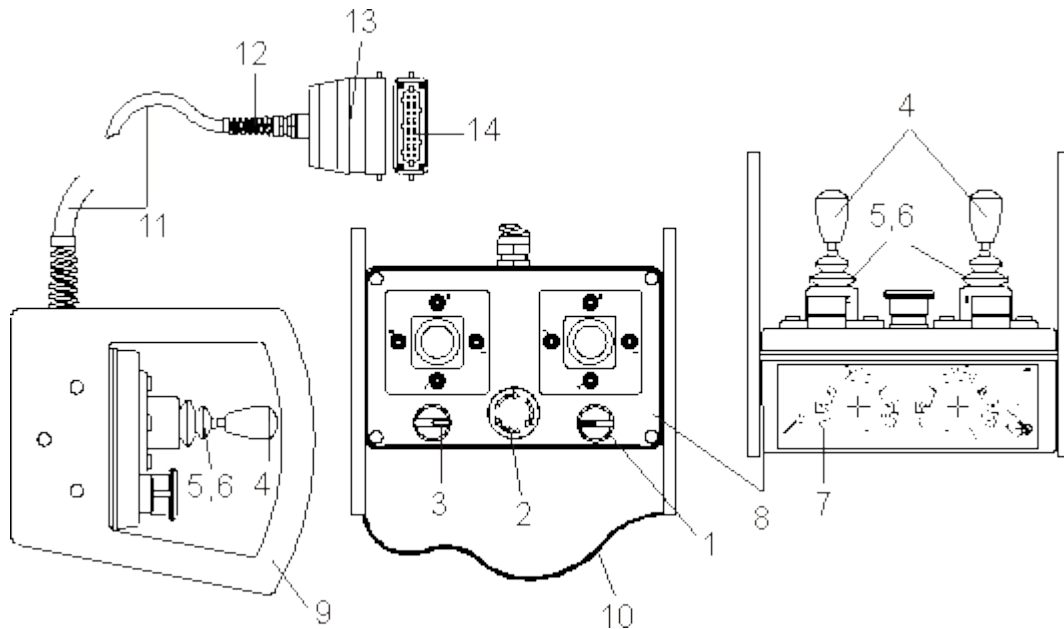
			
Sensor Inclinometer VTI 2-Axis M12 Plug	Sensor Pressure A09 Incl Damping Element	Sensor cable 5.0m	Magnet MAG-2006-B (M3.0)
EL-37699	EL-32278	EL-34244	EL-32921
			
Strip Encoder- with magnets	Body limit switch Telemec	Plunger Head End Telemec	plunger stab deployed
EL-37327	EL-27734	EL-33684	EL-26088 - Plunger S1-26119 - Spring



Item	Part Number	Description	Qty
1	EL-33898	Mount Magnetic Sensor SMARTlift	1
2	EL-32920	Sensor Magnetic Proximity	1
3	FA-28693	Screw Socket Cap Gr 12.9 M5x25 ZP	3
4	FA-33272	Screw Socket Button Head M3x16 ZP	2
5	FA-33273	Screw Socket Grub M5x08 ZP	2
6	EL-27576	Connector Conduit Straight 10mm 831001	1
7	EL-27578	Nut Conduit 10mm Type 831044	1
8	EL-27579	Seal Ring Conduit 10mm Type 831055	1

Remote Control


Remote - Cable (Analogue)



Note : Please provide the Serial Number of the Sidelifter with all spare parts orders.

Item	Part Number	Description	Qty
	EL-37084	Remote Control - whole assembly	1
1	EL-27717	Mode Select Switch	1
2	EL-27721	Emergency Stop	1
3	EL-27716	High Speed Switch	1
4	EL-18753	Joystick	2
5	EL-19054	Joystick Boot	2
6	EL-18823	Boot Shield	2
7	DE-21229	Decal	1
8	EL-27521	Enclosure	1
9	EL-21479	Safety Frame	2
10	EL-21535	Carry Strap	1
11	EL-33483	Remote Cable	10M
12	EL-27676	20mm Spiral Gland	2
13	EL-27409	Hood 24 Way Single Latch weidemuller	1
14	EL-27407	24 Pin Female Plug	1
15	EL-27729	Contact Block, NO (not shown)	4
16	EL-27730	Contact Block, NC (not shown)	4

Remote - Cable (Digital)

	
Transmitter	Cable
EL-39925	EL-38016

Note : For transmitter parts see Remote - Radio parts.

Remote - Radio (Analogue or Digital)

			
Transmitter	Receiver	Selector Knob	Joystick
EL-41411	Digital EL-39924 Analogue EL-39926	EL-41315	EL-41310
			
Battery	Charger	E-Stop Button	Switch Hi/Lo
EL-41309	EL-41316	EL-41313	EL-41314

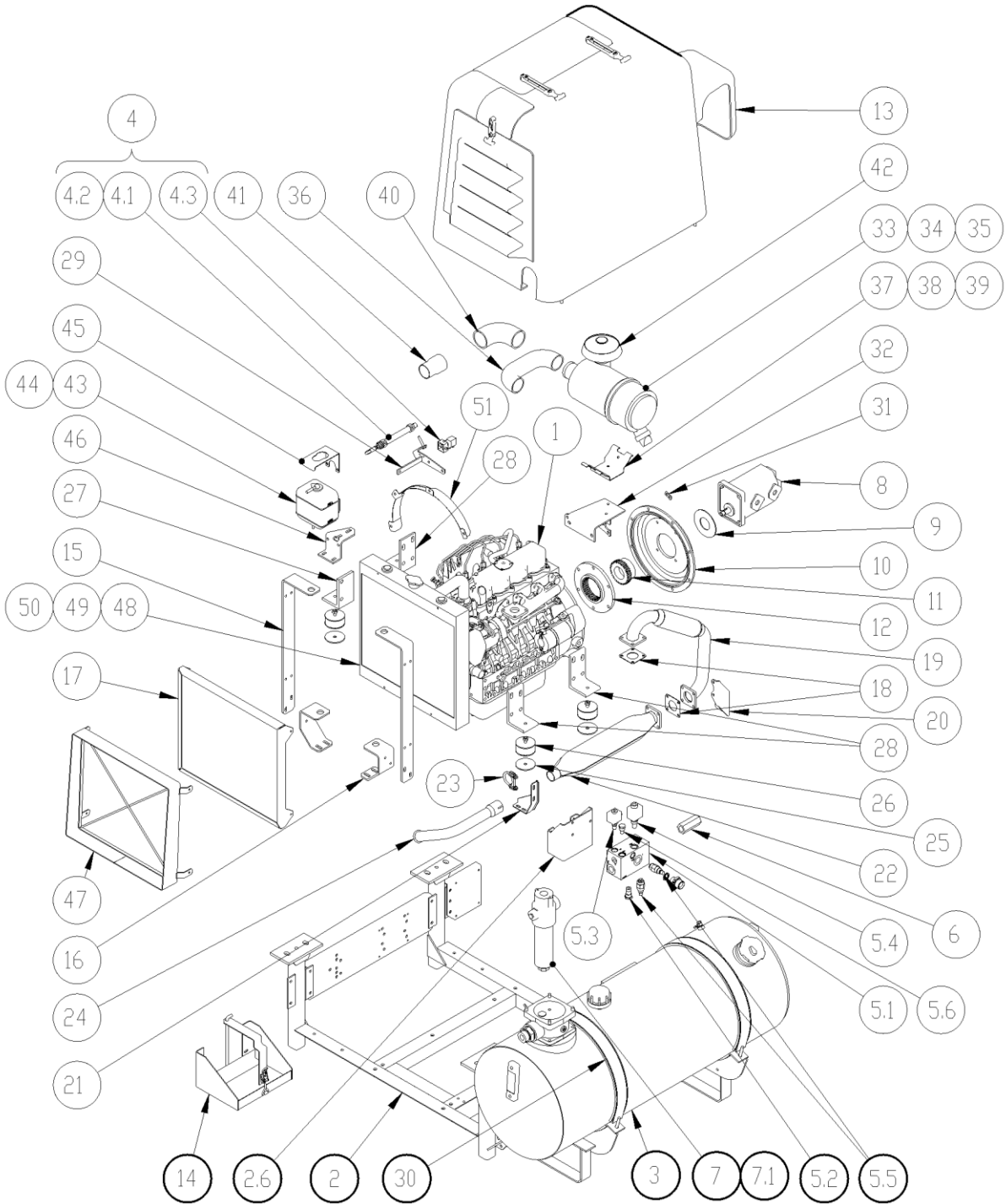


			
Antenna	Ion		
EL-41317	EL-41311 Note: Receiver S/N required.		



Power Pack

Power Pack (V2403)





Note: Please provide the Serial Number of the Sidelifter with all spare parts orders.

Item	Part Number	Description	Qty	UoM	Notes
1	KU-V2403-M-E3B-KEA-2	Engine Kubota 2.4l	1	EA	
2		Frame Engine Assy	1	EA	See Table 2
3		Tank Assy	1	EA	See Table 3
4	PM-37971	Kit Throttle Ctrl	1	EA	
4.1	PM-38751	Cylinder Pneu	1	EA	
4.2	PM-31514	Rod End Spherical M8	1	EA	
4.3	PM-38750	Valve Throttle Stop Control	1	EA	
5	HC-32188	Valve Safety Highspeed Combination	1	EA	
5.1	HC-32480	Manifold Highspeed Unloader	1	EA	
5.2	HC-31971	Cartridge Check Valve	1	EA	
5.3	HC-31968	Cartridge Direction Control Valve	1	EA	
5.4	HC-31969	Cartridge Direction Control Valve	1	EA	
5.5	HC-31970	Cartridge Relief Valve	2	EA	
5.6	HC-31977	Plug Cavity Type	1	EA	
6	HC-20799	Valve Check 3/4 In Line	1	EA	
7	HC-18740	Filter Pressure Line	1	EA	
8	HC-31472	Pump Tandem	1	EA	
9	HC-37091	Disk Pump Location	1	EA	
10	HC-37969	Bell Housing	1	EA	
11	HC-37092	Hub Pump Group 3 Tapered	1	EA	
12	HC-37970	Adaptor Flywheel	1	EA	
13	S1-25781	Cover Engine Fibreglass (Cold Climate)	1	EA	Side Mount Engines only. (Louvered radiator panel)
	S1-38484	Cover Engine Fibreglass	1	EA	Side Mount Engines only. (Mesh radiator panel)
14	S1-32779	Battery Box	1	EA	
15	S1-38741	Bracket Upper Radiator	2	EA	
16	S1-38013 (S1-37973)	Bracket Lower Radiator RH (Bracket Lower Radiator LH)	1	EA	
17	S1-37974	Screen Radiator	1	EA	Centre Mount Engines only
18	KU-T0070-16420	Gasket	2	EA	
19	S1-37976	Exhaust Pipe	1	EA	
20	S1-37999	Bracket Exhaust Manifold Mount	1	EA	
21	S1-37994	Bracket Exhaust Clamp Mount	1	EA	
22	KU-19077-12110	Muffler	1	EA	
23	S1-30637	Clamp Exhaust 44mm	1	EA	
24	S1-27103	Exhaust Pipe Extension	1	EA	Centre Mount Engines only
	S1-31030	Exhaust Pipe Extension	1	EA	Side Mount Engines only
25	S1-38032	Packer Engine Mount	4	EA	
26	S1-37996	Mount Engine Rubber	4	EA	



27	S1-38081	Mount Engine	1	EA	
28	S1-02682	Mount Engine	3	EA	
29	S1-37977	Bracket Assy Throttle Ctrl Mnt	1	EA	
30	TA-18120	Rubber Tank Bracket	3	MT	3m per tank
31	S1-37549	Link Tie	4	EA	
32-42		Air Cleaner Items	1	EA	See Table 4
43	KU-15501-72404	Coolant Tank	1	EA	
44	KU-15521-72462	Bracket Mount Coolant Tank	1	EA	
45	S1-40129	Bracket Coolant Tank Retainer	1	EA	
46	S1-37975	Bracket Eng Coolant O/flow Tank	1	EA	
47	PP-41288	Shroud & Rubber Assy Rad V2403	1	EA	
48	KU-1K583-72062	Radiator	1	EA	
49	KU-42050	Radiator Top Hose	1	EA	
50	KU-42051	Radiator Bottom Hose	1	EA	Not shown
51	PP-42147	Radiator guard and rubber strip	1	EA	

Engine Frames

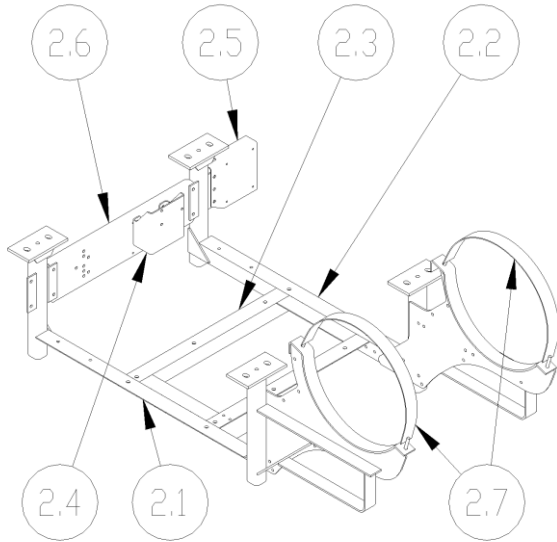


Figure 2.1: Engine Frame Assy Centre Mount (Standard)

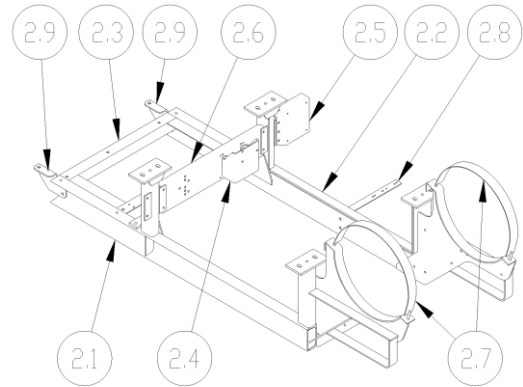


Figure 2.2: Engine Frame Assy Side Mount Height (Standard)

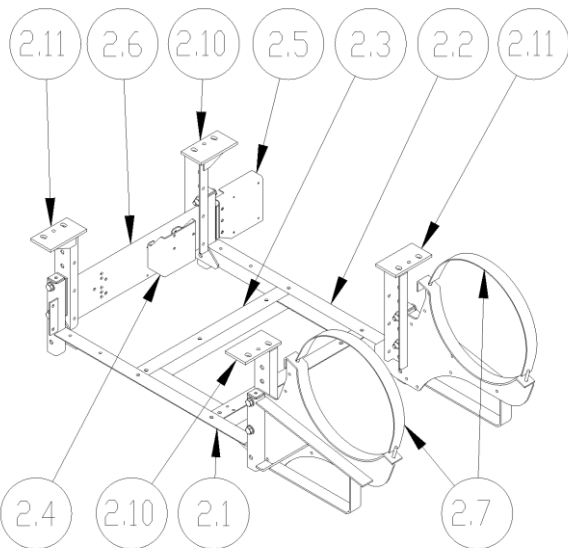


Figure 2.3: Engine Frame Assy Centre Mount (Height Adjustable)

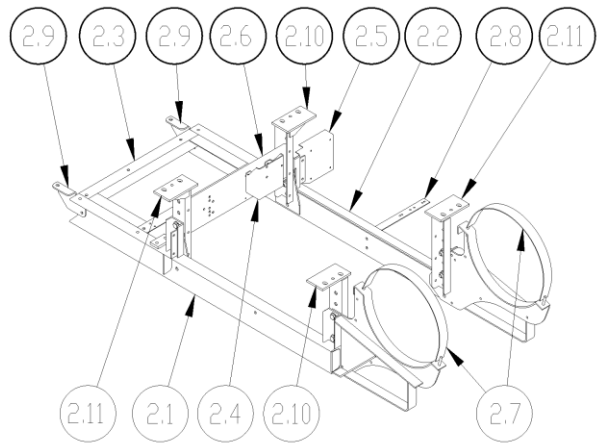


Figure 2.4: Engine Frame Assy Side Mount (Height Adjustable)

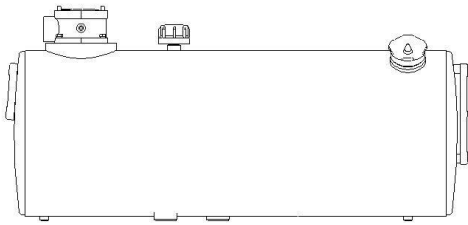


Note: Please provide the Serial Number of the Sidelifter with all spare parts orders.

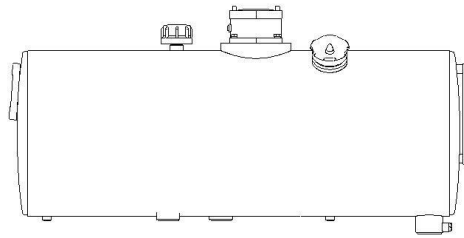
Table 2: Engine Frames

				Fig 2.1	Fig 2.2	Fig 2.3	Fig 2.4
				Centre Mount Standard	Side Mount Standard	Centre Mount Adjustable	Side Mount Adjustable
Item	Description	Qty	UoM	Part No			
2	Frame Engine Assy	1	EA	S1-39140	S1-39245	S1-39247	S1-39153
2.1	Frame Side RH	1	EA	S1-39139R	S1-39246R	S1-39248R	S1-39152R
2.2	Frame Side LH	1	EA	S1-39139L	S1-39246L	S1-39248L	S1-39152L
2.3	Base Frame	1	EA	S1-32777	S1-32777	S1-32777	S1-32777
2.4	Bracket Manifold		EA	S1-32780	S1-32780	S1-32780	S1-32780
2.5	Bracket Junction Box Mount	1	EA	S1-32781	S1-32781	S1-32781	S1-32781
2.6	Pressing Manifold Block Spacer	1	EA	S1-39244	S1-39244	S1-39244	S1-39244
2.7	Strap Tank	2	EA	S1-16291	S1-16291	S1-16291	S1-16291
2.8	Bracket Hoses Support	1	EA	n/a	S1-33778	n/a	S1-33778
2.9	Bracket Cover Mount	2	EA	n/a	S1-33688	n/a	S1-33688
2.10	Leg Adjustable RH	1	EA	n/a	n/a	S1-39251R	S1-39251R
2.11	Leg Adjustable LH	1	EA	n/a	n/a	S1-39251L	S1-39251L

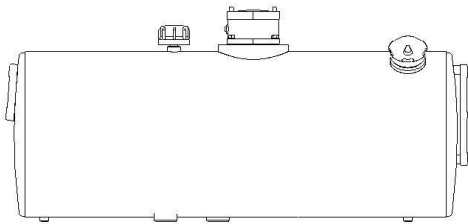
Tank Assembly Drawings



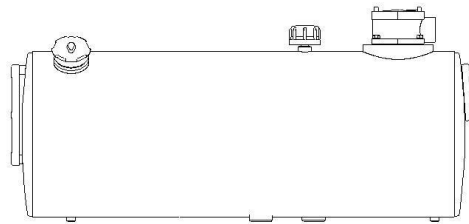
A



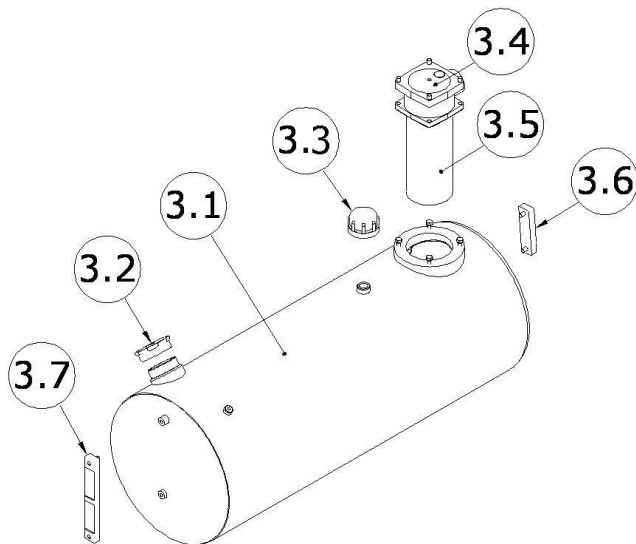
B



C



D



Note: Please provide the Serial Number of the Sidelifter with all spare parts orders.

Table 3: Tank Assembly

				TANK CONFIGURATION			
				A	B	C	D
ITEM	DESCRIPTION	QTY	UOM	PART NUMBER			



3	Tank Assembly	1	EA	S1-38275	S1-38290	S1-38293	S1-40860
3.1	Combination Oil/Fuel Tank	1	EA	HC-37978	HC-38015	HC-38291	HC-40859
3.2	Fuel cap	1	EA	HC-32649	HC-32649	HC-32649	HC-32649
3.3	Breather (Oil Tank)	1	EA	HC-19063	HC-19063	HC-19063	HC-19063
3.4	Filter (Oil Tank)	1	EA	HC-18954	HC-18954	HC-18954	HC-18954
3.5	Filter Element (Oil Tank)		EA	HC-18955	HC-18955	HC-18955	HC-18955
3.6	Sight Gauge (Oil)	1	EA	HC-26250	HC-26250	HC-26250	HC-26250
3.7	Sight Gauge (Fuel)	1	EA	HC-26251	HC-26251	HC-26251	HC-26251

Air Cleaners

Note: Please provide the Serial Number of the Sidelifter with all spare parts orders.

Table 4: Air Cleaners

				Dual Element Filter (Plastic Body) on Side Mount Engine	Dual Element Filter (Plastic Body) on Mid Mount Engine	Single Element Filter (Metal Body) on Side Mount Engine	Single Element Filter (Metal Body) on Mid Mount Engine	
Item	Description	Qty	UoM	Part Number				Note
32	Bracket Mounting Air Cleaner	1	EA	PP-41233	PP-41233	PP-41233	PP-41233	
33	Air Cleaner Body	1	EA	S1-37296	S1-37296	KU-15606-11013	KU-15606-11013	
34	Element Filter Air Main (Outer)	1	EA	S1-37298	S1-37298	KU-815606-11081	KU-815606-11081	
35	Element Filter Air Safety (Inner)		EA	S1-37299	S1-37299	n/a	n/a	
36	Pipe Air Intake	1	EA	KU-16662-11662	KU-16662-11662	KU-16662-11662	KU-16662-11662	1
37	Support Air Cleaner	1	EA	KU-38430-13942	KU-38430-13942	KU-38430-13942	KU-38430-13942	
38	Cushion Rubber Air Cleaner Support	2	EA	KU-38430-13972	KU-38430-13972	KU-38430-13972	KU-38430-13972	
39	Strap Rubber Air Cleaner	2	EA	KU-38430-13983	KU-38430-13983	KU-38430-13983	KU-38430-13983	



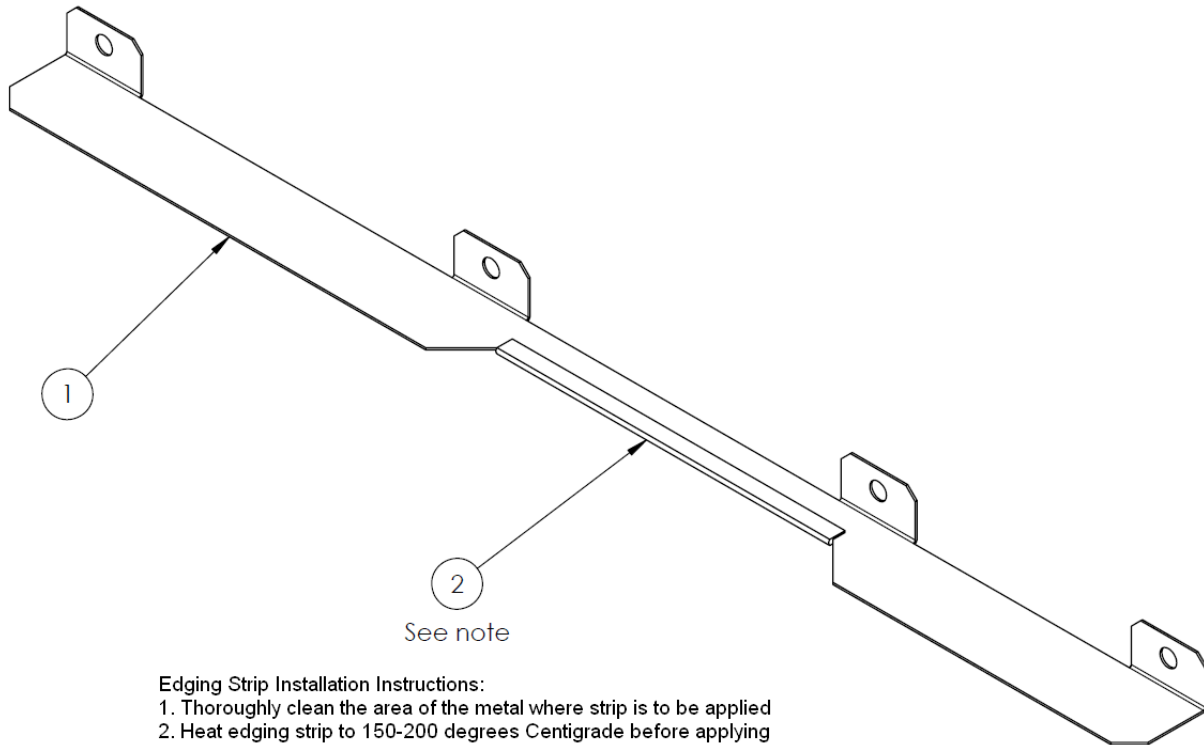
	Retainer							
40	Elbow 2.5 Inch 90 Degree	1	EA	S1-37297	n/a	S1-37297	n/a	
41	Reducer Exhaust 65mm- 57mm	1	EA	S1-37247	n/a	S1-37248	n/a	
42	Hood Inlet Air Cleaner	1	EA	S1-38752	S1-38752	S1-38752	S1-38752	2

NOTES:

- 1 May require cutting in accordance with Service Information K0002 to suit air cleaner arrangement
- 2 Part of KU-15606-11013

Power Pack Centre Mount Fan Stone Guard

The stone guard is designed for centre mounted power pack engines to prevent stones entering the fan and causing damage to the radiator core.

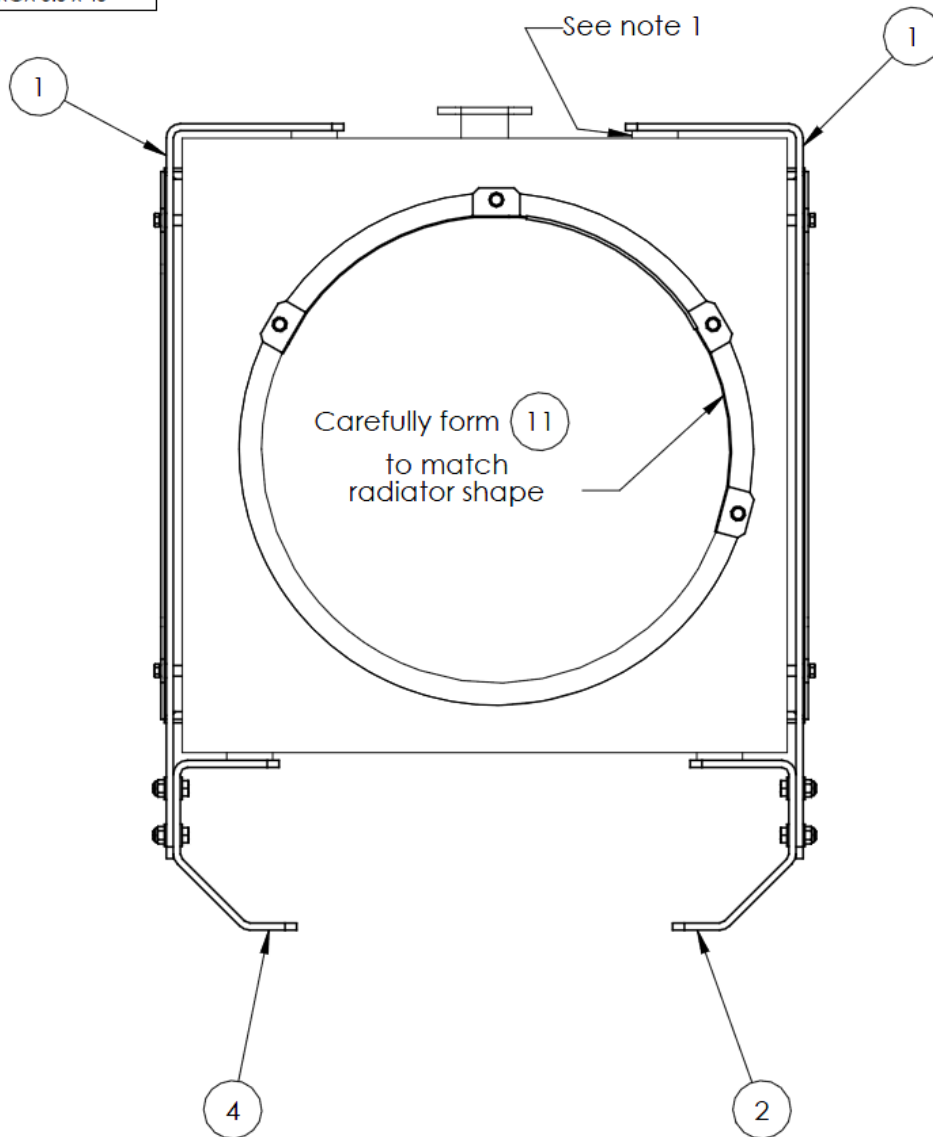


Edging Strip Installation Instructions:

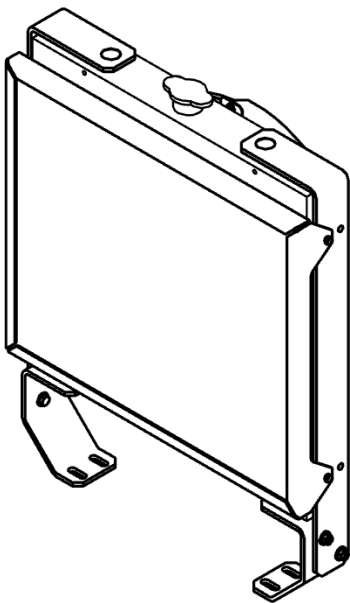
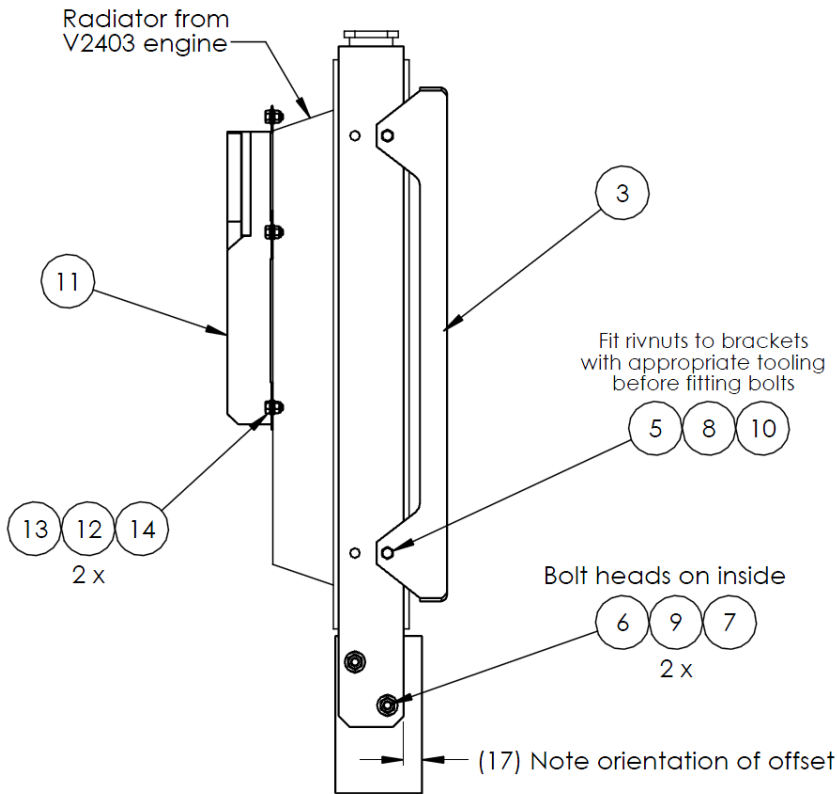
1. Thoroughly clean the area of the metal where strip is to be applied
 2. Heat edging strip to 150-200 degrees Centigrade before applying
- Refer to edging strip datasheet for further information.

Item	Description	Part Number	Qty	Notes
1	Shroud Fan V2403 Eng	PP-12146	1	
2	Edging Strip Rubber Rayrim NR-8 Cut @ 180 lg	EL-41696	1	

BREAK ALL SHARP EDGES
APPROX 0.5 x 45°



Note 1. Fit 4 rubber grommets (supplied with radiator) on attachment pegs.



Note: Please provide the Serial Number of the Sidelifter with all spare parts orders.

Item	Description	Part Number	Qty	Notes
1	Bracket Upper Rad V2403-M	S1-37972	2	
2	Bracket Lower Radiator V2403-M LH	S1-37973	1	
3	Screen Radiator V2403-M	S1-37974	1	
4	Bracket Lower Radiator V2403-M RH	S1-38013	1	
5	Screw Set Hex Class 8.8 M6x25 ZP	FA-28590	4	
6	Screw Set Hex Class 8.8 M8x25 ZP	FA-28605	4	



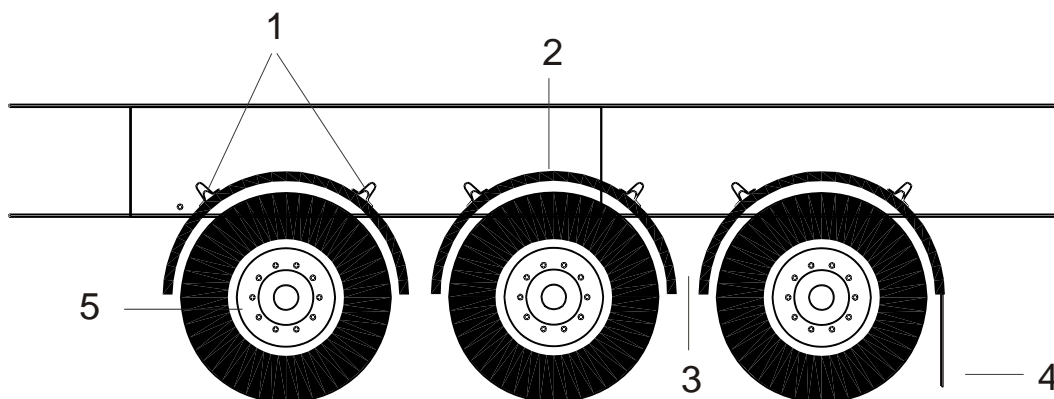
Item	Description	Part Number	Qty	Notes
7	Nut Nyloc M8 ZP	FA-28770	4	
8	Washer Spring M6 ZP	FA-28825	4	
9	Washer Flat M8x19 ZP	FA-28827	8	
10	Rivnut M6 Large Flange 4.5-6mm Thk Matl	FA-38115	4	
11	Shroud Assy Fan V2403 Eng	PP-42147	1	
12	Washer Flat M6x16 ZP	FA-28824	8	
13	Nut Nyloc M6 ZP	FA-28769	4	
14	Screw Set Hex Class 8.8 M6x12 ZP	FA-28587	4	



Chassis



Wheels and Mudguards



Wheel and Mudguard Components

Item	Description
1	Mudguard Brackets
2	Mudguard
3	Mudguard Joiner
4	Mudflap
5	Wheel

Mudguard Brackets

Note: Please provide the Serial Number of the Sidelifter with all spare parts orders.

Item	Part Number	Description
1	MU-22831	Mudguard Bracket Bolt-on (Pressed Type)
2	MU-20945	Mudguard Bracket Weld-on (Pressed Type)
3	MU-30570	Mudguard Bracket Kit (Pole Type) 700mm Straight/Formed
4	MU-30571	Mudguard Bracket Kit (Pole Type) 700mm Straight
5	MU-30572	Mudguard Bracket Kit (Pole Type) 620mm Formed



Mudguards

Note: Please provide the Serial Number of the Sidelifter with all spare parts orders.

Item	Part Number	Description
1	MU-29210	Mudguard 11R 22.5 Plastic "Truckmate" Red
2	MU-31930	Mudguard 11R 22.5 Plastic "Truckmate" Silver
3	MU-29205	Mudguard 11R 22.5 Plastic "Truckmate" Black
4	MU-29209	Mudguard 11R 22.5 Plastic "Truckmate" Dark Blue
5	MU-29188	Mudguard 255 70R 22.5 Plastic "Rhino" Red
6	MU-29197	Mudguard 255 70R 22.5 Plastic "Rhino" Red Self Steer
7	MU-27096	Mudguard 255 70R 22.5 Plastic "Rhino" Black
8	MU-27109	Mudguard 255 70R 22.5 Plastic "Rhino" Black Self Steer
9	MU-27098	Mudguard 255 70R 22.5 Plastic "Rhino" Grey
10	MU-27113	Mudguard 11R 22.5 Plastic "Rhino" Black
11	MU-29199	Mudguard 11R 22.5 Plastic "Rhino" White
12	MU-27114	Mudguard 11R 22.5 Plastic "Rhino" Blue
13	MU-14192	Muduard 255 70R 22.5 Alloy "Rhino"
14	MU-27762	Muduard 11R 22.5 Alloy "Rhino"

Mudflaps

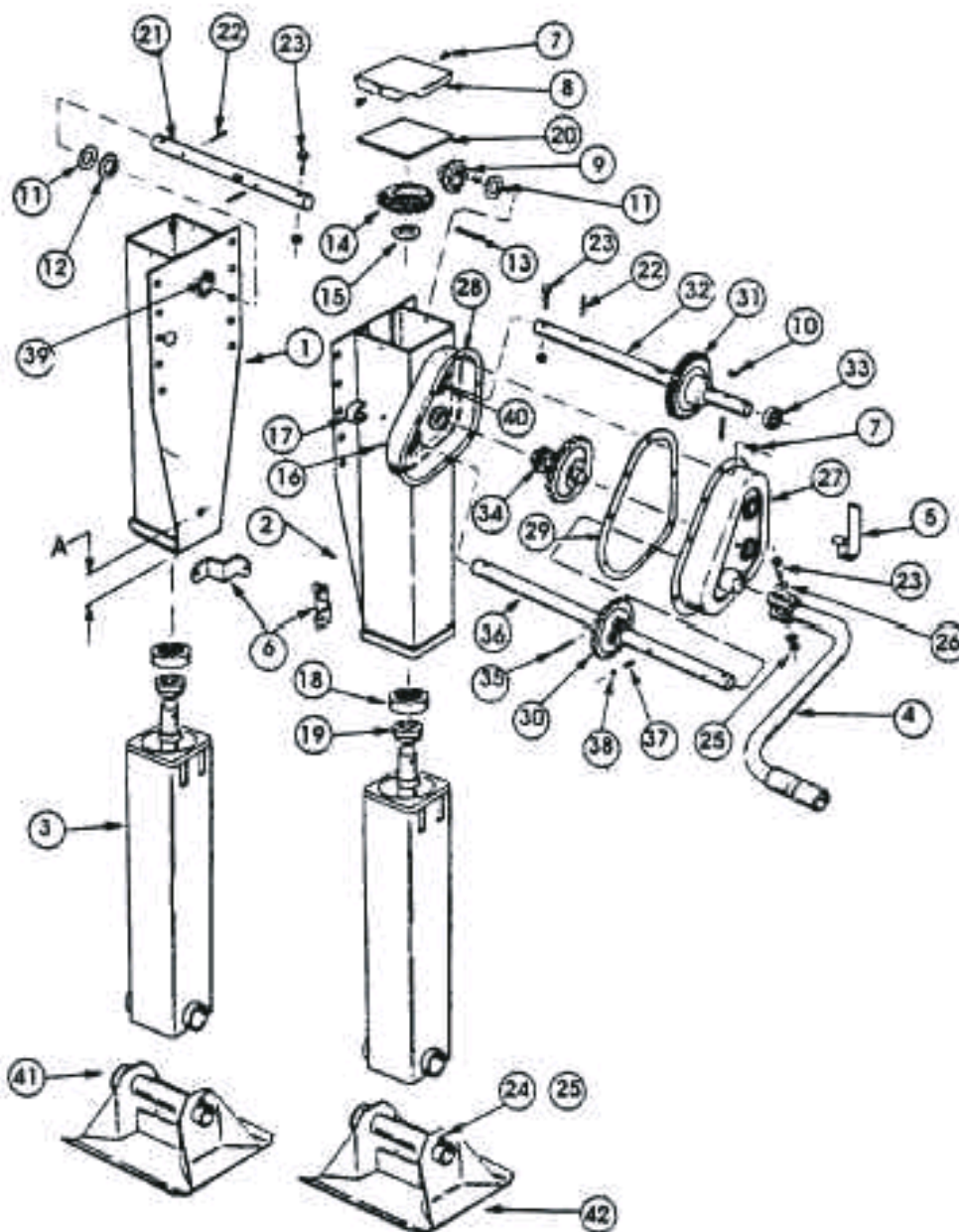
Item	Part Number	Description
1	MU-27757	Mudflap Plastic Single
2	MU-27759NZ	Mudflap Plastic NZ Full Width
3	MU-27759	Mudflap Plastic Full Width

Mudguard Joiners

Note: Please provide the Serial Number of the Sidelifter with all spare parts orders.

Item	Part Number	Description
1	MU-33743	Mudguard Joiner (100mm between guards)
2	MU-33745	Mudguard Joiner (340mm between guards)
3	MU-33746	Mudguard Joiner (430mm between guards)

Landing Legs



Fuwa Landing Legs



Note: Please provide the Serial Number of the Sidelifter with all spare parts orders.

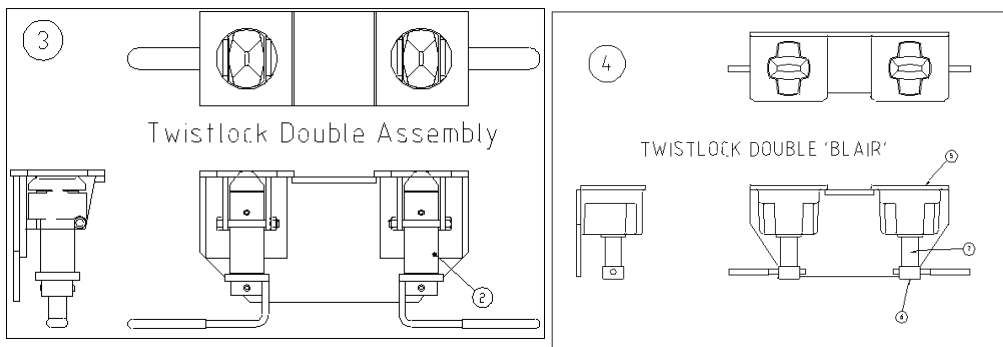
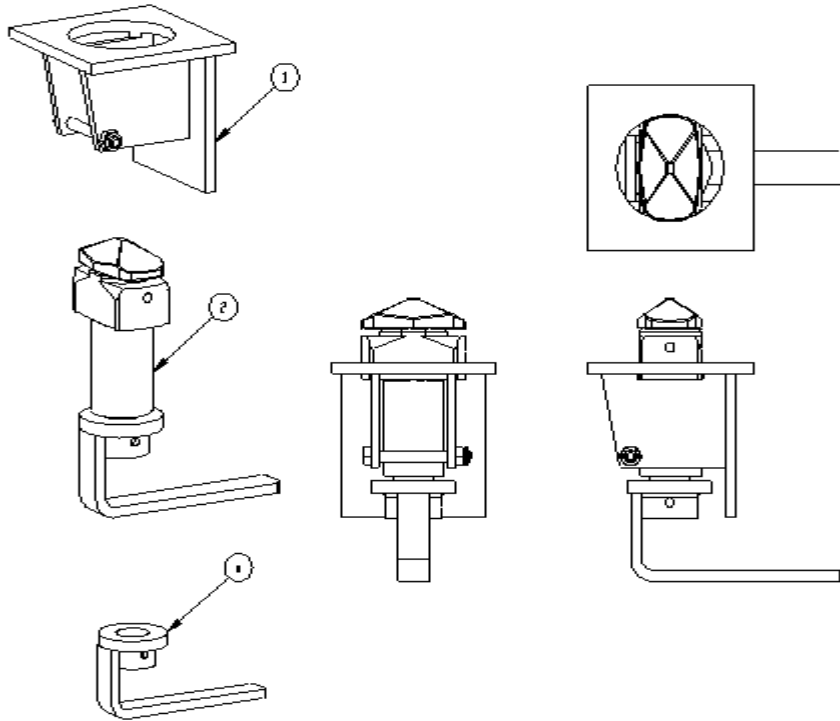
Item	Part Number	Description (Fuwa)	Qty
1	FW-285001	Upper Housing LH	1
2	FW-285002	Upper Housing RH	1
3	FW-285003	Retracting Tube	2
4	FW-200001	Universal Crank	1
5	FW-200002	Crank Hanger	1
6	FW-200003	Strut Bracket	2
7	FW-240001	Screw	11
8	FW-200004	Cover	2
9	FW-220001	Pinion	2
10	FW-220002	Woodruff key	3
11	FW-240002	Thrust Washer	2
12	FW-240003	Thrust Washer LH	1
13	FW-240004	Groove Pin	2
14	FW-220003	Bevel Gear	2
15	FW240005	Washer	2
16	FW240006	Grease Fitting	5
17	FW200016	Shift Shaft Support	1
18	FW220004	Thrust Bearing	2
19	FW200005	Collar	2
20	FW220005	Cover Gasket	2
21	FW200006	Jack Shaft LH	1
22	FW240007	Roll Pin	4
23	FW240008	Bolt	3
24	FW240009	Locking Nut	5
25	FW240010	Hex Bolt	2
26	FW240011	Flat Washer	2
27	FW200007	Gearbox Half Outside	1
28	FW200008	Gearbox Half Inside	1
29	FW220006	Gasket	1
30	FW220007	Input Gear	1
31	FW220008	Output Gear	1
32	FW200009	Jack Shaft RH	1
33	FW200010	Spacer Bushing	1
33	FW220009	Idler Gear	1
34	FW240012	Groove Pin	1
36	FW200011	Shift Shaft	1
37	FW240013	Shift Lock Spring	1
38	FW240014	Shift Lock Ball	1
39	FW200012	Bushing	2
40	FW200013	Step Boss	1
41	FW200014	Shoe Axle	2
42	FW200015	Shoe	2





Twistlock Assemblies

Twistlock Assembly





Note: Please provide the Serial Number of the Sidelifter with all spare parts orders.

Item	Part Number	Description	Qty	Notes
1	TP-31459	Housing For Twistlock C/W Bolt & Spacer	1	
2	TP-39893	Centre Twistlock C/W Shear Pin	1	1
a	CP-18000	Handle Twistlock Single Extended		
	TP-25850	Grip Handle Twistlock		
	TP-22361	Ball Steel		
	TP-22382	Spring Twistlock Centre		
	FA-28750	Screw Socket Grub		
3	TP-25949	Twistlock Double YORK	1	
4	TP-33455	Twistlock Double Retractable BLAIR	1	
5	TP-33454	Twistlock Single Retractable		
6		Handle Retractable Twistlock BLAIR		
7		Shaft Retractable Twistlock BLAIR		

NOTES:

1. Replaces part number YK-783560-01